



Congruent Molecular and Morphological Diversity of Macaronesian Limpets: Insights into eco-evolutionary Forces and Tools for Conservation

Gilberto P. Carreira^{1*}, Paul W. Shaw², João M. Gonçalves^{3,4} and Niall J. McKeown²

¹ Direção de Serviços de Biodiversidade e Política do Mar, Direção Regional dos Assuntos do Mar, Secretaria Regional do Mar, Ciência e Tecnologia, Colónia Alemã, Portugal, ² Institute of Biological, Environmental and Rural Sciences, Aberystwyth University, Aberystwyth, UK, ³ MARE – Marine and Environmental Sciences Centre - Azores, Horta, Portugal, ⁴ OKEANOS-Research Center, University of the Azores, Horta, Portugal

OPEN ACCESS

Edited by:

Tony J. Pitcher,
University of British Columbia, Canada

Reviewed by:

Sarah Helyar,
Queen's University Belfast, Ireland
Ilaria Coscia,
University of Salford, UK

*Correspondence:

Gilberto P. Carreira
gilberto.mp.carreira@azores.gov.pt

Specialty section:

This article was submitted to
Deep-Sea Environments and Ecology,
a section of the journal
Frontiers in Marine Science

Received: 30 December 2016

Accepted: 02 March 2017

Published: 16 March 2017

Citation:

Carreira GP, Shaw PW, Gonçalves JM
and McKeown NJ (2017) Congruent
Molecular and Morphological Diversity
of Macaronesian Limpets: Insights into
eco-evolutionary Forces and Tools for
Conservation. *Front. Mar. Sci.* 4:75.
doi: 10.3389/fmars.2017.00075

Combined analysis of genetic and morphological variation can provide synergistic insights into eco-evolutionary forces shaping biodiversity, as well as tools for conservation and management. Macaronesian limpets are undergoing severe declines due to overexploitation which calls for an evaluation of the evolutionary significance and taxonomic status of populations. This study details the analysis of genetic (mtDNA sequencing) and morphological (geometric analysis of shell shape) variation among Macaronesian populations of *Patella aspera*, *P. rustica*, and *P. candei*. In the case of *P. aspera* and *P. rustica*, this also included analysis of mainland conspecifics. mtDNA revealed distinct phylogeographic patterns for the three species. For both *P. aspera* and *P. rustica* Macaronesian and continental samples were reciprocally monophyletic, with shallower, and distinct, phylogeographic structure within both clades. For *P. candei*, the Macaronesian endemic, three reciprocally monophyletic groups corresponding to (i) the Azores, (ii) Madeira and (iii) Selvagens and Canary Islands were resolved. The different patterns for each species are compatible with independent processes of colonization and demographic processes. Morphological differentiation matched the major phylogeographic groupings (i.e., Macaronesian v Continent for *P. aspera* and *P. rustica*; Azores/Madeira/Selvagens and Canary Islands for *P. candei*) compatible with such variation being shaped by genetic drift associated with distinct demographic histories of lineages as well as historical/recurrent selection pressures. The genetic/morphological congruence supports the formal recognition of at least three described *P. candei* subspecies. Moreover, the data prompt recommendation of the separate management of limpets from each archipelago. At present management efforts are hampered by illegal harvesting of limpets. From an applied viewpoint, this study confirms that morphology retains useful information on genetic status and thus represents a potentially cheap method applicable to limpet conservation.

Keywords: Gastropods, phylogeography, evolution, conservation, phenotype, biodiversity

INTRODUCTION

Patterns of variation in morphological and genetic diversity for a species reflect to varying degrees, historical and recurrent evolutionary processes, and can provide insights into the interplay between neutral and adaptive forces. Such information is fundamental to understand eco-evolutionary processes (Slatkin, 1987) and can be useful for the conservation of intraspecific biodiversity in the case of vulnerable or highly exploited species (Hilborn et al., 2003; Mariani et al., 2012). While advances in molecular biology are providing increased resolution of biocomplexity among marine taxa, there remains a major demand to obtain reliable and informative biological information for a plethora of populations/species at low operational costs for management and conservation purposes (Frankham, 2010). As such, comparative studies of morphological and genetic divergence can still have an important contribution to biodiversity conservation (Strange et al., 2008; Mariani et al., 2012).

The biogeographic region of Macaronesia is comprised of the four ocean archipelagos of the Azores, Madeira, Selvagens and Canaries (the archipelago of Cabo Verde is also sometimes included into this definition). These islands are all the result of volcanic activity and have never been connected to continents, thus their biota are believed to have resulted from colonization and *in situ* evolution. Across that region, Patellid limpets represent an important socioeconomic resource and have likely been exploited since the islands were first colonized (Hawkins et al., 2000), which, in the case of Canaries, goes back to around the middle of the 1st millennium B.C.E with recognized effects on the abundance of *P. candei*, at least in one island of the archipelago (Gonzalez-Lorenzo et al., 2015) (the human colonization of the Azores and Madeira goes back to the 15th century). The high levels of exploitation have contributed to severe declines in limpet abundance with many populations considered to be overexploited (Martins et al., 2008). The reductions in limpet abundance is also reported to be altering ecosystem services of the coastal areas, as it has been linked to the increase in turf-forming algae (Martins et al., 2010).

Three species of *Patella* are recognized on the Macaronesian islands: *Patella aspera*, *P. rustica*, and *P. candei* (Christiaens, 1973; Hawkins et al., 1990; Ridgway et al., 1998; Koufopanou et al., 1999). *P. aspera* is the widest distributed *Patella* species. It inhabits the lower intertidal and sub-tidal down to 6 m deep and is distributed across most of Europe, Mediterranean, North Africa, as well as the Azores, Madeira, Selvagens, and Canaries. Continental populations have been referred to as *P. ulissypensis*, while Macaronesian populations have been referred to as *P. aspera* (Hawkins et al., 2000; Weber and Hawkins, 2005), sometimes also called *P. u. aspera* (Ferraz et al., 2001). *P. rustica* occurs throughout Europe, up to northern Iberia, including the Mediterranean and North West African Atlantic coasts south to Mauritania. *P. rustica* inhabiting the Macaronesian Islands are sometimes referred to as *P. piperata* (Christiaens, 1968; Côte-Real et al., 1996b). This species is absent from the Azores and is believed to have undergone a recent range expansion across the western coast of Iberia due

to climate change (Lima et al., 2006). *P. candei* is endemic to the Macaronesian Islands, where it inhabits the intertidal fringe, usually less than 3 m depth. This species overlaps in its habitat with other species, according to the archipelago. In Madeira and Canaries, two species share partially the same habitat with *P. candei*: *P. rustica* (upper intertidal) and *P. aspera* (low intertidal and subtidal). In the Azores, however, only *P. aspera* partially shares the same habitat with *P. candei*, in the low intertidal and upper subtidal, as *P. rustica* is absent from that archipelago.

Phylogeographic patterns among Macaronesian limpets are well established (Sá-Pinto et al., 2008) and reveal ancestral splits and contemporary restricted gene flow from mainland forms (for *P. aspera* and *P. rustica*), as well as further restricted gene flow among archipelagos (for all three species). In contrast, informative quantitative morphological data are lacking, largely due to difficulties in identifying appropriate and informative landmarks on shells (e.g., Cabral and Jorge, 2007). Where morphology reflects genetic patterns, preliminary morphological surveys can motivate and inform future studies into factors shaping gene flow. Furthermore, in such cases phenotypic traits can be used as valid criteria to establish management units (Garnier et al., 2005). Additionally, morphological differentiation can reveal cryptic patterns of incipient genetic divergence (e.g., that may not be detected at assayed genetic markers that have not attained migration-drift equilibrium or sufficient statistical power (Nice and Shapiro, 1999). Generation of robust morphological data is particularly relevant to the taxonomy of *P. candei* for which early morphological patterns prompted the description of four geographically distinct subspecies (*P. c. gomesi* in Azores; *P. c. ordinaria* in Madeira, *P. c. candei* in Selvagens, and *P. c. crenata* in Canaries (Christiaens, 1973). However, subsequent studies have disagreed with various aspects of this taxonomy and it remains controversial (Côte-Real et al., 1996a,b; Weber and Hawkins, 2002; Sá-Pinto et al., 2008).

This study details the analysis of genetic (mtDNA sequencing) and morphological variation among Macaronesian populations of *P. aspera*, *P. rustica* and *P. candei*. In the case of *P. aspera* and *P. rustica*, this also included analysis of mainland conspecifics. Morphological variation was assessed using the first, to our knowledge, implementation of a geometric approach for limpets and particular attention was paid to the morphological diagnosability of members of different lineages. This information is then used to discuss (i) the factors shaping biodiversity and (ii) the potential utility of such an inexpensive morphological approach as a management tool. The patterns are also interpreted in the context of *P. candei* taxonomy.

MATERIALS AND METHODS

Specimens of *P. aspera*, *P. rustica*, and *P. candei* were collected from across their distribution ranges across the Azores, Madeira, Selvagens and Canaries. For *P. rustica* and *P. aspera*, representative continental samples were also collected and examined (Table 1). Samples were collected randomly by hand, throughout the intertidal rocky shore, during low tide periods. Tissues were preserved in ethanol (96%) and shells cataloged for

TABLE 1 | Number of specimens examined for the three *Patella* species, localities of collection and data (COI and cytochrome b, or CYTB) and shell shape (2-D conformations, composed of 27 landmarks).

Species	Geographical distribution	Area/Archipelago	Locality/Island	COI	CYTB	COI-CYTB	Morphology		
<i>Patella candei</i>	Azores	Azores	Corvo	25	27	15	43		
	Madeira		Flores	8	19	4	26		
	Selvagens		Graciosa	11	8	4	20		
	Canary Islands	So Jorge		So Jorge	13	11	4	58	
		Terceira		Terceira	13	16	5	38	
		Faial		Faial	12	16	2	55	
		Pico		Pico	17	19	4	206	
		So Miguel		So Miguel	10	16	4	89	
		Santa Maria		Santa Maria	10	12	–	57	
		Formigas Islets		Formigas Islets	14	18	9	§	
		Madeira	Madeira	Madeira	Madeira	14	17	10	126
			Porto Santo		Porto Santo	21	16	3	38
			Deserta		Deserta	19	17	10	98
		Selvagens		Selvagem Grande	20	20	6	§	
		Canary Islands	Gran Canária		Gran Canária	22	19	13	34
			Lanzarote - Punta Pechiguera		Lanzarote - Punta Pechiguera	13	23	–	35
			Lanzarote - El Cochino, Tymanfaya		Lanzarote - El Cochino, Tymanfaya	14	14	10	21
La Graciosa			La Graciosa	5	14	3	41		
<i>P. rustica</i>	Madeira,	Madeira	Deserta	3	3	3	4		
	Selvagens,		Porto Santo	10	14	4	21		
	Canary Islands,	Canary Islands	Gran Canária	14	10	8	18		
	North west Africa,		Lanzarote	10	19	6	16		
	Atlantic SW Europe,		La Graciosa	12	8	6	14		
	West Mediterranean,	North west Africa	Mauritania	1	3	3	4		
	Aegean Sea.	Atlantic SW Europe,	Algarve	16	16	15	15		
		West Mediterranean	Ceuta	14	23	13	44		
			Tuscany	5	13	4	18		
		Aegean Sea	Greece	19	13	10	30		
<i>P. aspera</i>	Azores,	Azores	Corvo	16	9	8	43		
	Madeira,		Flores	2	2	2	§		
	Selvagens,		São Jorge	26	13	12	§		
	Canary Islands,		Faial	13	13	10	15		
	Atlantic Europe,		Terceira	8	5	2	29		
	West Mediterranean,		Pico	25	18	13	20		
	Aegean Sea.		São Miguel	19	9	5	28		
	Madeira	Madeira	Madeira	Madeira	12	4	1	59	
		Porto Santo		Porto Santo	14	11	5	17	
		Deserta		Deserta	4	4	4	2	
		Selvagens		Selvagem Grande	11	5	4	4	
	Canary Islands	Gran Canária		Gran Canária	13	18	4	37	
		La Graciosa		La Graciosa	1	3	–	2	
		Lanzarote		Lanzarote	14	2	1	15	
	Atlantic Europe	Algarve		Algarve	10	21	6	13	
		Costa da Caparica		Costa da Caparica	12	17	9	42	
		Figueira da Foz		Figueira da Foz	15	12	12	13	
		Devon, Great Britain		Devon, Great Britain	1*	–	–	–	
	West Mediterranean	Ceuta		Ceuta	5	3	3	§	
		Tuscany		Tuscany	7	10	5	4	
Aegean Sea		Greece	11	13	5	19			
Total				611	606	289	1564		

*Tissue sample obtained from a voucher deposited in the Natural History Museum of London, UK; § locations for which the shells were not included for analysis, due to the fact that these were highly eroded shells.

further morphometric analysis. In the case of shells, only non-broken and not severely eroded specimens were considered for morphometric study.

Genetic Analysis

Where possible sequences were obtained for each individual for the cytochrome oxidase I gene (~650 bp fragment PCR amplified using universal primers LCO1490 and HCO2198, Folmer et al., 1994) and cytochrome B gene (~350 bp PCR amplified using degenerate primers UCYTB151F and UCYTB270R, Merritt et al., 1998). PCR products were cleaned using ExoSap and sequenced in both directions on an Applied Biosystems sequencer using Big Dye technology. Sequences were trimmed and edited manually in CHROMAS (<http://www.technelysium.com.au>) and the alignments were analyzed with the programs ESEE (Cabot and Beckenbach, 1989), BioEdit 7.0.9.0 (Hall, 1999), DnaSP 4.50.3 (Rozas et al., 2003), MEGA 4.0.2 (Tamura et al., 2007), and DAMBE 5.0.52 (copyright© Xuhua Xia, <http://dambe.bio.uottawa.ca/Include/software.aspx>). Neighbor joining P-uncorrected phylogenies were inferred by using PAUP* Neighbor joining P-uncorrected trees obtained in MEGA. The selection of the best DNA substitution model was performed for the concatenated datasets through MrMODELTEST 2.3 (Nylander, 2004), jointly with PAUP* 10b (Swofford, 2003). Maximum likelihood (ML) phylogenies for the COI-CYTB composite (concatenated sequence between COI and cytochrome b) haplotypes were inferred with the routine implemented in PhyML, as described by Guindon and Gascuel (2003). ML phylogenies were assessed by bootstrapping, with 2,000 pseudo replicates (Felsenstein, 1985). The ML trees were mid-point rooted, visualized and edited using FigTree 1.2.2 (Andrew Rambaut, 2006–2009, <http://tree.bio.ed.ac.uk/>). Genetic variation was described using indices of haplotype and nucleotide diversity (Nei and Tajima, 1981; Nei, 1987; h and Π , respectively), extracted through DnaSP.

Morphological Analysis

Each shell was photographed with a digital camera (Nikon CoolPix 775, with lens Nikkor 5.8–7.4 mm, I:2.8–4.9) fixed to a tripod. Each shell was superimposed to a fan composed of a system of axes equally distant in 15°, and centered to a frame of size 110 × 70 mm (Figure 1). Each shell was orientated with the anterior end to the left and two additional lines were used on the right side, distant to the horizontal line in $\pm 22^\circ$. TPS data files were prepared with tpsUtils (Rohlf, 2006a) and the digitalization of each specimen was made with tpsDig (Rohlf, 2006b). This system allowed the collection of 27 landmarks in each shell (one located on the shell apex, and the remaining landmarks located throughout the shell border). The pictures were individually scaled and a dataset composed of shape conformations obtained, consisting of two-dimensional (x,y) coordinates of the 27 landmarks that were collected from each specimen (Figure 1).

The individual conformations were aligned with the generalized Procrustes superimposition method, as implemented in tpsRelW (Rohlf, 2006c). In order to relax the assumption of homology among landmarks, the border points were allowed

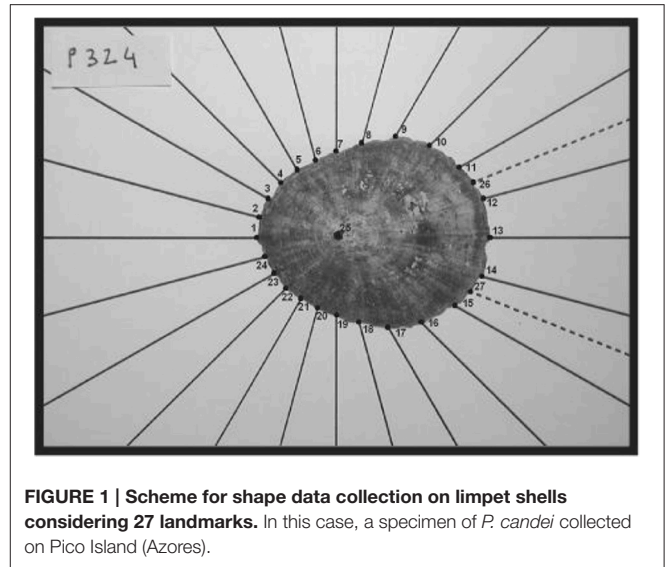


FIGURE 1 | Scheme for shape data collection on limpet shells considering 27 landmarks. In this case, a specimen of *P. candei* collected on Pico Island (Azores).

to slide as semi-landmarks along the shell border, according to a pre-established sliders file, prepared for each dataset with tpsUtils. A matrix of shape descriptors generated on tpsRelw (Rohlf, 2006c), known as the weight matrix, was extracted with tpsRelw. This matrix is composed of the partial warps (PW) and the two uniform (affine) shape components. First, a relative warp analysis (RWA) was performed. For this analysis, and to avoid the noise provided by the typical (and possibly random) reticulated nature of the shell border in limpets, we set α parameter of the RWA to 1, which drives the analysis to focus primarily on the overall information on shape, when performing a RWA. The matrix of relative warps (RW) was analyzed by plotting means and 95% confidence intervals for each group previously defined as a molecular lineage.

One-way analyses of variance (ANOVA) between groups (mitochondrial lineages) were performed and Bonferroni pairwise tests were computed in order to statistically assess shape differences between pairwise groups, as described by the first three RW components. A visual representation of the shape variation described by RW was obtained by plotting thin-plate-spline deformation grids associated with extreme values of RW for each group, which consist of a graphical illustration of the bending energy matrix, as described by each RW component.

Discriminant Analysis and Assessment of Molecular Lineage/Morphological Congruence

The weight matrixes were imported to the STATISTICA®—data analysis software system, version 6.0 (<http://statistica.software.informer.com/6.0/>, Inc. 2001), and a generalized discriminant analysis performed by defining the groups according to the mitochondrial lineages. In addition, cross-validation procedures were performed by previously keeping 25% (*P. candei*) or 33% (*P. rustica* and *P. aspera*) (taken randomly from the specimen groups included in each clade) as a training sample.

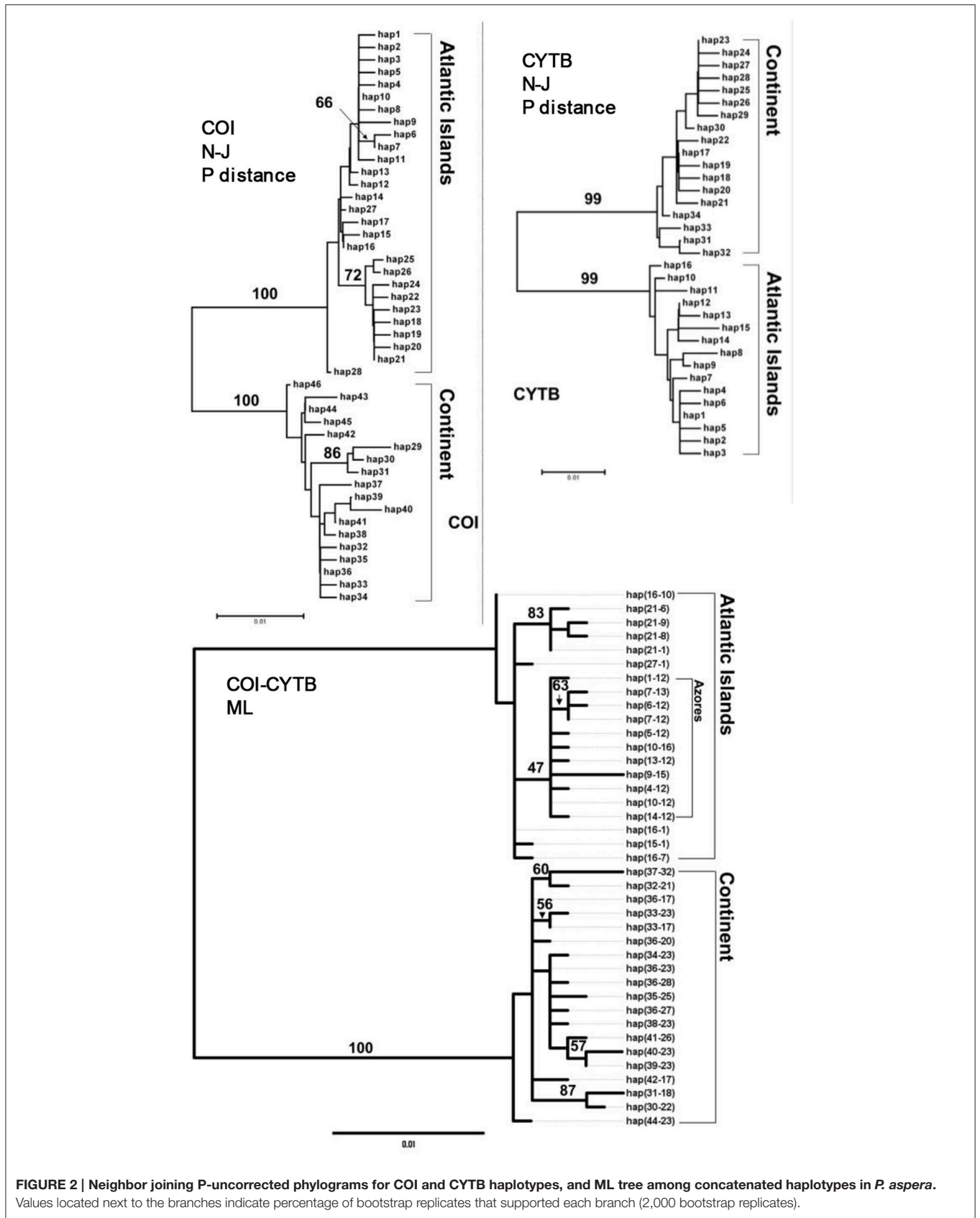
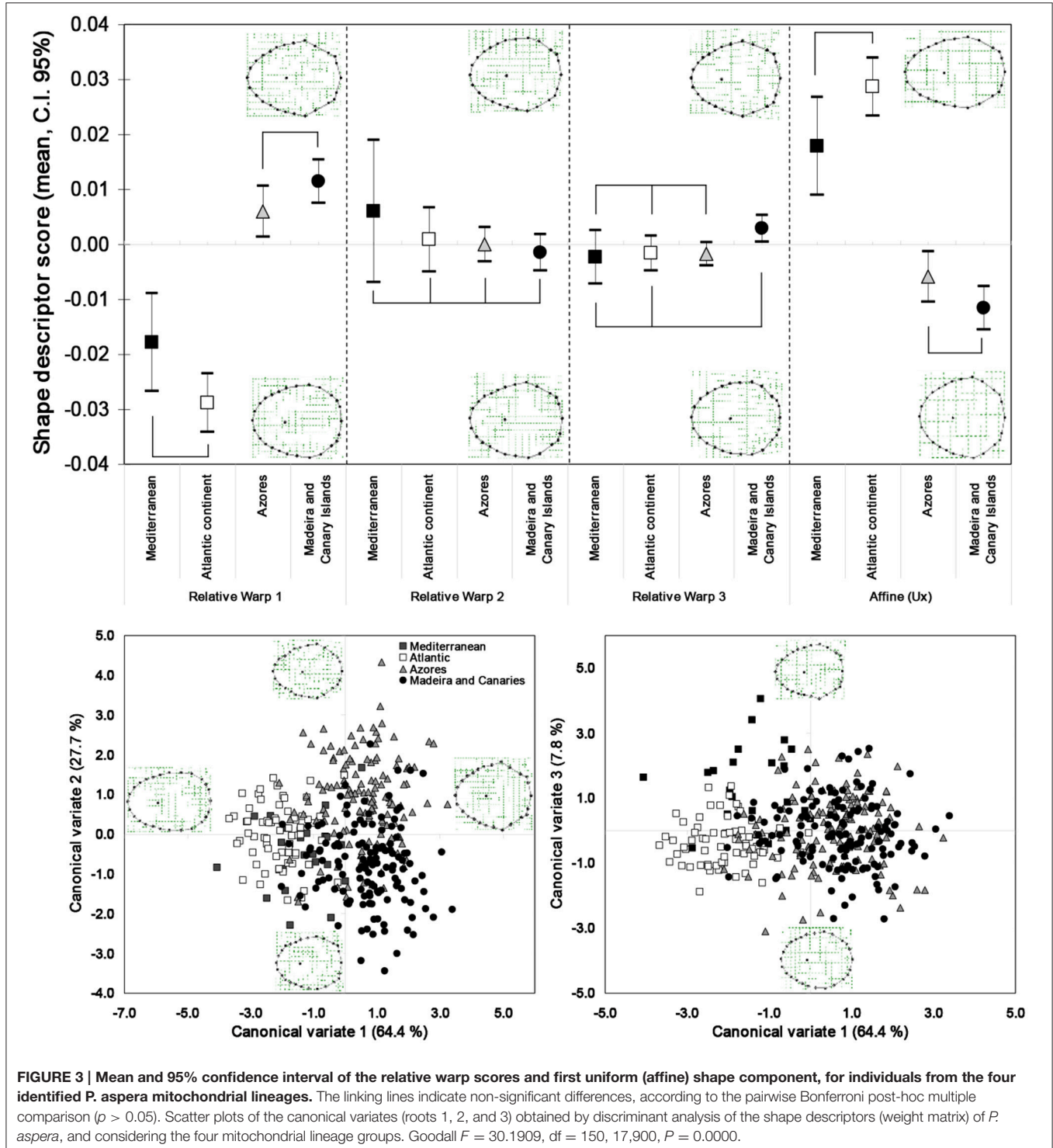


FIGURE 2 | Neighbor joining P-uncorrected phylograms for COI and CYTB haplotypes, and ML tree among concatenated haplotypes in *P. aspera*. Values located next to the branches indicate percentage of bootstrap replicates that supported each branch (2,000 bootstrap replicates).

In order to visually inspect the shape variability associated with the inferred discriminant model, multivariate regression analyses were computed of the weight matrix (set as dependent variable matrix) on the coefficient of variate matrix (CV, set as the matrix of independent variables). The fit of these regression analyses were assessed through the significance of

the multivariate Goodall F, based on a re-sampling procedure (5,000 permutations). These analyses were performed on tpsRegr (Rohlf, 2006d), which also allowed the visualization of the correspondent deformation grids, under a thin-plate-spline model, based on the bending energy matrix. The congruence between molecular lineage/morphology was assessed



by evaluating the degree of molecular disjunction between clades and the statistical grouping both for RW and for discriminant analysis (cross-validation).

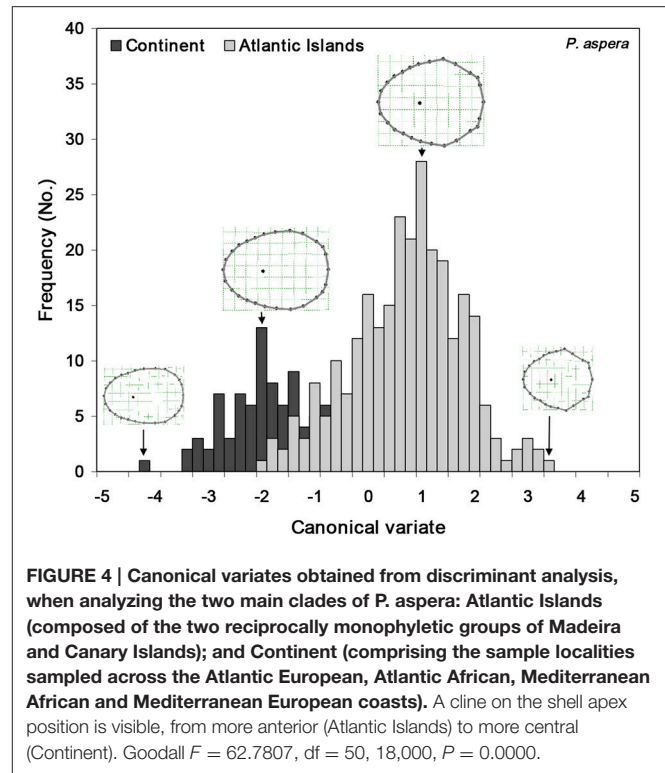
RESULTS

Patella Aspera

In 240 individuals of *P. aspera* that were screened for COI, 46 haplotypes were detected ($h = 0.82 \pm 0.020$), and 34 haplotypes were detected in 175 individuals that were screened for cytochrome b ($h = 0.82 \pm 0.020$). The concatenated dataset was composed of 39 different haplotypes. The nucleotide diversity of COI for the complete alignment was 0.02165 ± 0.00124 . The nucleotide diversity of the complete cytochrome b alignment was 0.03350 ± 0.00128 .

Both the neighbor joining p-uncorrected phylograms and the ML inferred phylogeny revealed two reciprocally monophyletic groups, one composed of the haplotypes sampled across the Macaronesian islands and the second containing haplotypes sampled across the Atlantic and Mediterranean continental coasts (Figure 2). Within both clades there was further phylogeographic structuring. Among the Macaronesian samples, the Azores shared no haplotypes with the other archipelagoes, while there was also no haplotype sharing between the Atlantic and Mediterranean samples. Canaries and Madeira shared haplotypes for both COI and cytochrome b.

Patterns of shell shape variation showed concordance with the inferred phylogeographic patterns: the main divergence in terms of shell shape was found between the two main mitochondrial phylogenetic lineages (Macaronesia/continent), particularly demonstrated for the RW1 and the uniform (affine) shape descriptors (Figure 3). The ANOVA clearly split the insular from the Atlantic and Mediterranean continental populations, in terms of polygonality of the shells (ANOVA, RW1, $F = 48.26248$, $df = 358$, $P = 0.000013$) as well as the lateral vs. longitudinal compression (ANOVA, Ux, $F = 48.46422$, $df = 358$, $P = 0.000012$). The RW1 characterized the polygonality, typical of the Macaronesian shells, by the eccentricity of the landmarks 9, 13, 17, 26, and 27, as well as a more posteriorly positioned apex. The continental shells, on the other hand, presented a smoother and less angular shell shape. The affine shape descriptors showed the continental shells as laterally compressed, in opposition to the Macaronesian shells, which were wider and longitudinally compressed. This differentiation was evident in the high percentage of correct assignment of individuals to either the Macaronesian (83.3%) or continental (80.0%) groups (overall 84.4% correct assignment to regional group) (Figure 4, Table 2). Lower shell shape differentiation was reported among the lineages within the Macaronesian and continental groups. A gradient of shape was obtained (Figure 4) ranging from the continental shells, characterized by only slight polygonal and laterally compressed shell shapes, to the Macaronesian shells, characterized by highly polygonal and laterally wider/longitudinally compressed shell shapes.



P. rustica

In 110 specimens of *P. rustica* that were screened for COI, 41 haplotypes were found ($h = 0.94 \pm 0.011$), and 30 cytochrome b haplotypes were found in 115 specimens ($h = 0.83 \pm 0.024$). 39 contiguous haplotypes were identified. Inferred phylogenies revealed a hierarchically clustering into four monophyletic phylogeographic groups (Figure 5). The major phylogenetic split separated the Macaronesian and continental lineages. Within both clades reciprocally monophyletic units composed of (i) the Madeira and Canary islands and (ii) Aegean Sea and Atlantic/west Mediterranean were also resolved.

Shell shape variation for *P. rustica* also aligned with the phylogeographic patterns in clearly separating the Macaronesian and continental samples, whilst also reporting a lower level of diagnosability of members of the sub-clades (i.e., Madeira, Canary Islands, Atlantic/west Mediterranean, Aegean Sea). The RW1 (which explained 48.15% of the variation in shell shape) separated Macaronesian and continental shells as well as shells from the Canary Islands and Madeira, (Figure 6). The main character that was responsible for this observed pattern was the relative location of the shell apex, which was more anterior among Madeira individuals, and to a lesser degree in Canary Island individuals. The shells from the Atlantic and Mediterranean showed a more relatively centered apex location. This pattern was also apparent in RW3 (19.10% of shell shape variability). The shells from Madeira were also significantly more laterally compressed, when compared to the other three lineages, which did not significantly differ ($P > 0.05$) by presenting average values of the uniform (affine) shape component.

TABLE 2 | Cross-validation reassignments, based on the GDA of the weight matrixes, composed of the non-uniform (PW) and uniform (affine) shape descriptors for each species.

P. aspera - Correct cross-validation (train sample = 33%), Canonical $R = 0.77343$, Eigen-value = 1.487927, Wilk's lambda = 0.186704, $\chi^2 = 359.1412$, $df = 150$, $P = 0.00000$.

Lineage	Mediterranean	Atlantic	Azores	Madeira and Canary Islands	Total (%)	Main disjunction (%)
Mediterranean	2	3	1	1	29	84
Atlantic	9	10	2	2	43	
Azores	1	6	25	13	56	80
Madeira and Canary Islands	3	4	13	25	56	
Total	15	23	41	41	52	

P. rustica - Correct cross-validation (train sample = 33%), Canonical $R = 0.869988$, Eigen-value = 3.113166, Wilk's lambda = 0.068103, $\chi^2 = 255.2398$, $df = 150$, $P = 0.00000$.

Lineage	Atlantic and west Mediterranean	Eastern Mediterranean	Madeira	Canary Islands	Total (%)	Main disjunction (%)
Atlantic and west Mediterranean	16	5	3	3	59	84
Eastern Mediterranean	5	5	0	0	50	
Madeira	0	1	4	3	50	83
Canary Islands	0	3	6	7	43	
Total	21	14	13	13		

P. candei - Correct cross-validation (train sample = 25%), Canonical $R = 0.8603$; Eigen-value = 2.8483; Wilk's lambda = 0.1481; $\chi^2 = 1286.3080$; $df = 100$; $P = 0.00000$.

Lineage	Azores	Madeira	Canary Islands	-	Total(%)	-
Azores	132	0	3	-	98	-
Madeira	4	55	6	-	85	-
Canary Islands	5	3	25	-	76	-
Total	141	58	34	-	91	-

The four lineages were also separated significantly (Canonical $R = 0.862436$, Eigen-value = 2.903149, Wilk's lambda = 0.109511, $\chi^2 = 345.0298$, $df = 150$, $P < 0.00001$) based on the discriminant model inferred by GDA, although a pattern of partial overlap was found (Figure 6). The first canonical root (73%) clearly separated Macaronesian and continental shells, based on the more anterior position of the apex. The second canonical root, on the other hand, separated shells from the two island populations, with the ones from the Madeira archipelago presenting a more anterior apex and being slightly laterally compressed. The third canonical root (9%), although showing some overlap, tended to separate shells based on the anterior border, which was anteriorly pointed in Aegean Sea shells compared to the Atlantic and Western Mediterranean. Polygonality was not apparent on *P. rustica* shells.

The shape overlap found in both the RWA and GDA was reflected in the results of the cross-validation assignment tests wherein high levels of assignment success were obtained between the Macaronesian and continental samples but assignment success was lower when classification was to the four mtDNA clades i.e., Madeira/ Canary islands/Atlantic/Mediterranean) (Table 2). The GDA, when performed by assuming these

two main mitochondrial lineages as discriminant groups, was significant (Goodall $F = 127.8290$, $df = 50, 9100$, $P < 0.0001$) and showed a clear separation (Figure 7) based on the canonical root. The thin-plate-spline regression of the weight matrix on the canonical root confirmed the apex position as the main character separating these two lineages: Macaronesian specimens presented significantly anterior apex locations when compared to the continental populations.

P. candei

In 261 individuals of *P. candei* that were screened for COI (628 bp), 81 haplotypes were detected ($h = 0.93 \pm 0.010$). For cytochrome b (308 bp) 40 haplotypes were detected in 306 screened individuals of *P. candei* ($h = 0.73 \pm 0.022$). The nucleotide diversity (π) in the Azores was 0.00548 ± 0.00051 for this species and for cytochrome b was $\pi = 0.04822 \pm 0.00373$. The concatenated dataset was composed of 58 composite haplotypes. Phylogenetic analysis revealed a strong partitioning of three phylogeographic groups corresponding to (i) the Azores, (ii) Madeira and (iii) Selvagens and Canary Islands (Figure 8).

The complete disjunction that was detected among the three geographically-based mitochondrial lineages of *P. candei* was also

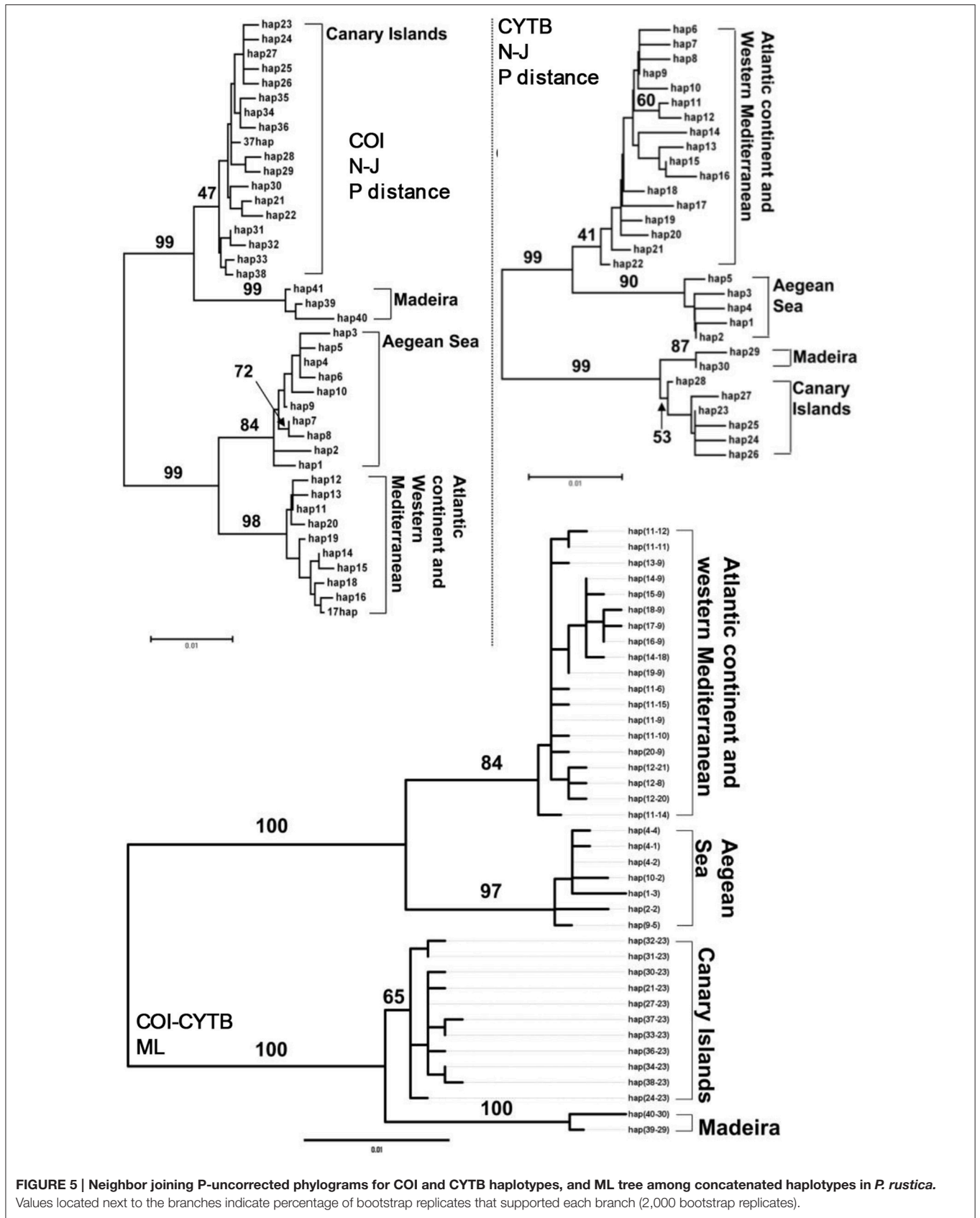
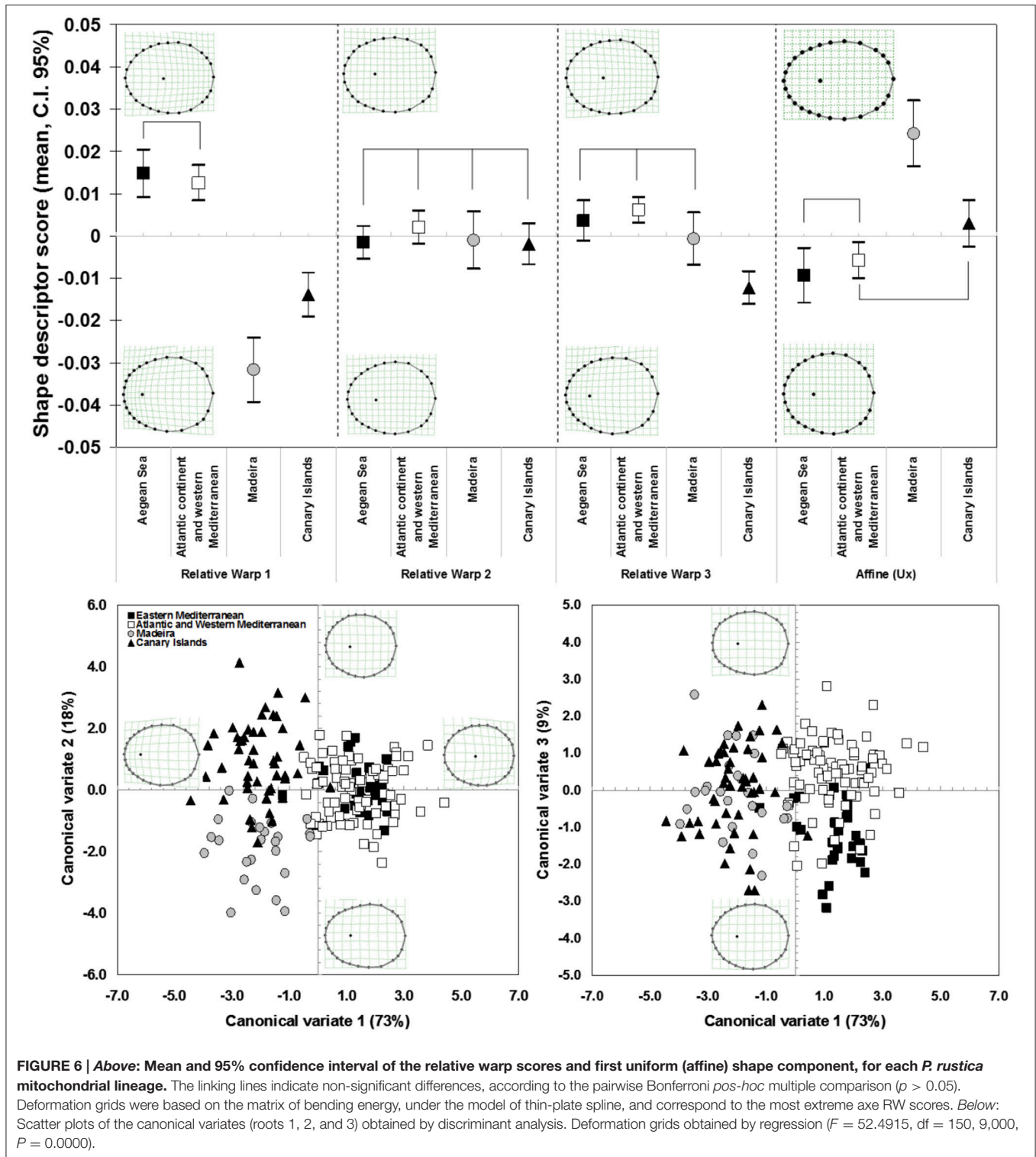


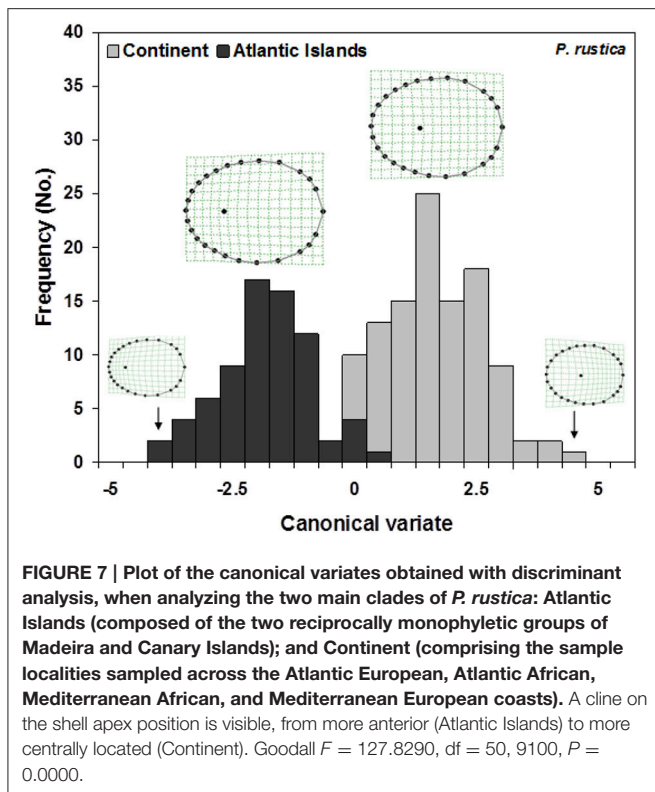
FIGURE 5 | Neighbor joining P-uncorrected phylograms for COI and CYTB haplotypes, and ML tree among concatenated haplotypes in *P. rustica*. Values located next to the branches indicate percentage of bootstrap replicates that supported each branch (2,000 bootstrap replicates).



resolved in the shell shape (Figure 9). The relative warp analysis completely separated the three lineages, based on the polygonal degree (RW1, $F = 24.783$, $DF = 931$, $P = 0.0000$), on the eccentricity of the apex position (RW3, $F = 29.420$, $DF = 931$, $P = 0.0000$), and on the shell lateral compression (Ux, $F = 21.818$,

$DF = 931$, $P = 0.0000$). Only RW2 displayed non-significant differences among the three mitochondrial lineages (ANOVA, $F = 2.874$, $DF = 931$, $P = 0.0570$) (Figure 9).

This morphometric analysis revealed that the lineages inhabiting the Madeira and Canary archipelagos are typified



by clear polygonal shell shapes, and that a relatively anterior positioned apex characterizes individuals in the lineage inhabiting the Azores. The affine shape descriptor showed a gradient of lateral compression, from Canary Islands (more rounded and longitudinally compressed) to the Azores where the shells tended to be more laterally compressed.

The discriminant analysis performed among molecular lineages was significant (Canonical $R = 0.8572$, Eigen-value = 2.7714 , Wilk's lambda = 0.1520 , $\chi^2 = 1707.667$, $DF = 100$, $P < 0.0001$), and the canonical variate roots separated the three lineages based on the following shape characters (**Figure 9**): the first canonical root (which described 78.8% of the shape variation) primarily separated the Azores from Madeira, based on the degree of polygonality. Shells from Madeira presented highly polygonal shells, characterized by the eccentricity of the landmarks 2, 9, 17, 23, 26, and 27. A number of landmarks showed concentric displacements, such as landmarks 1, 3, and 8. The shells from the Azores lineage, on the other hand, showed a more oval general shape. The shells from the Canary Islands were positioned intermediate between the other two lineages, and were positively separated based on the second canonical root (which accounted for 21.2% of the shape variation), characterized by a posteriorly positioned apex and a more reticulated shell border. Landmark 13 was typically positioned eccentrically.

The cross-validation percentage of correct shell-shape reassignment of specimens to their true phylogenetic lineage was high (**Table 2**), especially for Azores individuals for which only

3 specimens (2% of the training sample) were misclassified as belonging to the Canary Islands clade.

DISCUSSION

Macaronesian limpets are undergoing severe declines due to overexploitation which calls for an evaluation of the evolutionary significance and taxonomic status of populations. This study reports considerable evolutionary divergence of the Macaronesian limpets, revealed through highly concordant patterns of genetic and morphological variation. mtDNA revealed distinct phylogeographic patterns for the three species compatible with historical and contemporary gene flow restrictions previously reported by Sá-Pinto et al. (2008). Specifically, for both *P. aspera* and *P. rustica* Macaronesian and continental samples were reciprocally monophyletic, with lower levels of phylogeographic structure occurring within both clades. For *P. candei*, the Macaronesian endemic, three reciprocally monophyletic groups corresponding to (i) the Azores, (ii) Madeira and (iii) Selvagens, and Canary Islands were resolved. The different patterns found among these species are compatible with independent processes of colonization and demographic processes for the three species.

Geometric morphometric analysis detected significant morphological differentiation that matched major phylogeographic groupings (i.e., Macaronesian v Continent for *P. aspera* and *P. rustica*; Azores/Madeira/Selvagens and Canary Islands for *P. candei*). While plasticity is described for limpets (Hawkins et al., 1990) and widely reported for molluscs (Trussell, 2000) such concordant genetic and morphological differentiation is often taken as indicating the roles of genetic drift and/or natural selection. While a greater understanding of the relative roles of selection and plasticity could be obtained through comparison of Q_{ST} and F_{ST} values (but see Whitlock, 2008) this requires a common garden approach. We suggest that the results strongly indicate that morphological variation has in some way been shaped by genetic drift associated with distinct demographic histories of lineages as well as historical/recurrent selection pressures.

The development of geometric morphometric techniques has considerably advanced morphological studies (Davis et al., 2016) and in comparison to traditional distance-based methods permits a more detailed description of phenotypic variation. For both *P. aspera* and *P. rustica*, Macaronesian and continental populations were observed to be highly genetically diverged and reciprocally monophyletic. These major genetic breaks coincided with the largest components of morphological divergence. For *P. aspera* the continental shells were characterized as being less polygonal and more laterally compressed than their Macaronesian counterparts which showed a trend to become more polygonal and reticulated, presenting a lateral expansion. For *P. rustica* the relative apex position appeared to be the main character difference between continental and Macaronesian shells. Among the Archipelagos both species reported differing levels of genetic distinctiveness. For *P. aspera* there were clear haplotype frequency differences among sites, but not reciprocal

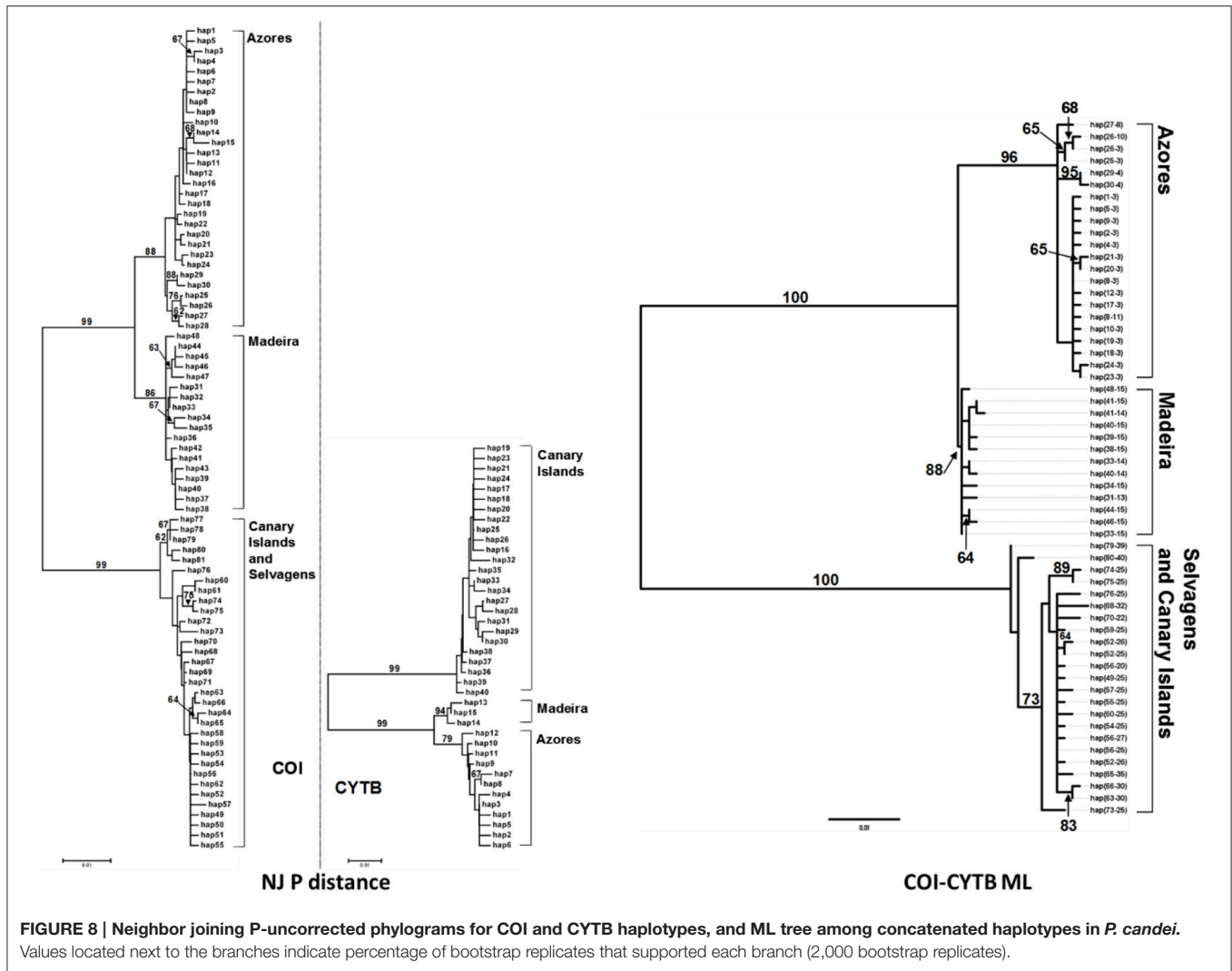


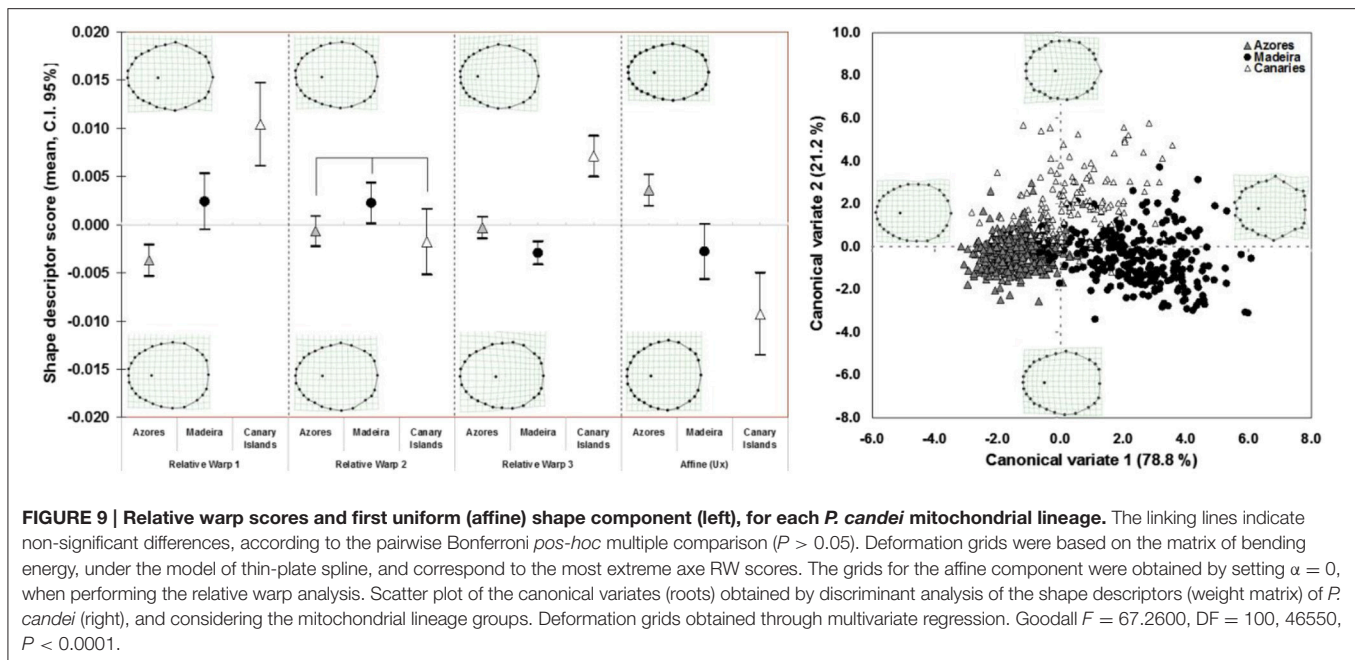
FIGURE 8 | Neighbor joining P-uncorrected phylograms for COI and CYTB haplotypes, and ML tree among concatenated haplotypes in *P. candei*. Values located next to the branches indicate percentage of bootstrap replicates that supported each branch (2,000 bootstrap replicates).

monophyly, whereas for *P. rustica* there was a congruent complete lineage sorting between Madeira and Canary islands. These differing depths of divergence were reflected in the observed morphological differentiation. For *P. aspera* individuals could not be morphologically discriminated across islands, whereas for *P. rustica* morphological differentiation between Madeira and Canaries was significant, though lower than that reported in comparisons with continental conspecifics, which also reflects the hierarchical patterns resolved by mtDNA.

Despite the general correspondence between genetic and morphological data, *P. rustica* revealed an interesting incongruence. Whereas morphological differentiation was detected between the genetically distinct archipelagos no morphological differentiation was detected between Aegean Sea and the Western Mediterranean /Atlantic lineages despite the comparably high genetic divergence. While it must be stressed that only one sampling location from the Aegean Sea has been included in this study, such a morphological similarity could reflect stasis due to stabilizing selection. Additionally, this result

could reflect the accelerated evolution of Macaronesian limpet diversity due to historical demographics and selection factors.

P. candei exhibited the highest levels of clade divergence, with three reciprocally monophyletic groups. Sá-Pinto et al. (2008) interpreted such divergence as indicating single colonization events, and subsequent genetic isolation for each archipelago. Such isolation, along with post colonization adaptation, would be expected to drive phenotypic divergence and this pattern was supported by morphometrics which reported the three lineages to exhibit a greater level of morphological differentiation, than observed for the other species. The shells carried by limpets inhabiting Madeira are characteristically polygonal, when compared with the shells of the limpets that inhabit the Azores. The shells from the Canary Islands, on the other hand, present a typical reticulated border and with its shell apex centrally located, when compared with the other two lineages of *P. candei*. These results confirm the high morphological differentiation described (see for example Christiaens, 1973) between the three subspecies *P. c. gomesi* (Azores), *P. c. ordinaria* (Madeira) and *P. c. crenata*



(Canary Islands) of *P. candei*. Specimens from *P. c. candei* (Selvagens) were not included in the analysis here, given their eroded status, however, subsequent studies suggest this eroded phenotype may have a genetic component (Carreira, 2010). While mtDNA has failed to differentiate *P. candei* from Canaries and Selvagens, this eroded phenotype may reflect reproductive isolation and incipient divergence that may be detectable with more powerful genetic markers such as microsatellites.

Islands are regarded as excellent model systems to investigate the relative roles of historical contingency and ecological determinism in shaping biodiversity (Emerson, 1985). Cunha et al. (2008) reported replicated biogeographic patterns between large and small coned venomous snails in Cabo Verde wherein ecological determinism, specifically recurrent gene flow restrictions and adaptation, had overcome the effects of different evolutionary histories. In this study, the most pronounced phylogeographic and morphological diversity among archipelagos was reported for *P. candei*, with lower levels of genetic/morphological divergence reported for the other species. While the distinct phylogeographic structures support unique colonization histories for the three species (Sá-Pinto et al., 2008), as *P. candei* are the oldest of the three species on Macaronesia, it may be that the differing patterns among the species in Macaronesia reflect different temporal stages of divergence by post-colonization determinism toward a replicated, albeit general, model of among archipelago diversification. As such the Macaronesian limpets represent an excellent model system for studying the stages of evolutionary divergence.

A fundamental aim of conservation is to identify and prioritize evolutionary significant components of biodiversity. Comparative genetic and morphometric analysis here highlight the unique genetic and morphological characteristics of the Macaronesian limpets, and implicate underpinning roles for historical contingency and contemporary determinism in the

evolution of this biodiversity. The subtlety of evolutionary processes can complicate conservation efforts focused at the subspecies rank (Crandall et al., 2000), however the genetic and morphological divergence support the formal recognition of at least three described *P. candei* subspecies. For all three species the genetic divergence among archipelagos must be considered a conservative reflection of contemporary isolation, and it is recommended that each archipelago be managed separately as such isolation increases the vulnerability of populations, which in the case of *P. candei* represents a real extinction risk. At present management efforts are severely hampered by illegal harvesting of limpets. From an applied viewpoint, this study confirms that morphology retains useful information on genetic status and thus represents a potentially cheap method applicable to limpet forensics.

DATA ACCESSIBILITY

All sequences have been deposited on GenBank (accession numbers: KY674542-KY674813).

AUTHOR CONTRIBUTIONS

All the four authors met the four criteria of authorship, namely: Substantial contributions to the conception or design of the work (GC, PS, and JG); or the acquisition (GC), analysis (GC and NM), or interpretation of data for the work (GC and NM); Drafting the work or revising it critically for important intellectual content (All); Final approval of the version to be published (All); Agreement to be accountable for all aspects of the work in ensuring that questions related to the accuracy or integrity of any part of the work are appropriately investigated and resolved (All).

ACKNOWLEDGMENTS

This study was conducted at Royal Holloway, University of London and at the Departamento de Oceanografia e Pescas, da Universidade dos Açores. This study benefited from the scholarship SFRH/BD/6897/2001, through the Portuguese Foundation for Science and Technology and the following grants: OGAMP (Interreg IIIB-MAC/4.2/A2), MARMAC (Interreg 03/MAC/4.2/A1) and BANGEN PCT/MAC/1/C070—Banco

genético marinho da Macaronésia. All the samples were collected according to the law enforced on each locality at the time of collection. In Canary Islands, samples were collected during the survey campaigns of the project “Canarias por una costa viva,” in collaboration with the team of the University of Las Palmas (Gran Canaria). Finally, the open access publication was supported by Portuguese “Fundação para a Ciência e a Tecnologia (FCT)” through the strategic project (FCT/UID/MAR/04292/2013) granted to MARE.

REFERENCES

- Cabot, E. L., and Beckenbach, A. T. (1989). Simultaneous editing of multiple nucleic-acid and protein sequences with ESEE. *Comp. Appl. Biosci.* 5, 233–234. doi: 10.1093/bioinformatics/5.3.233
- Cabral, J. P., and Jorge, R. M. N. (2007). Compressibility and shell failure in the European Atlantic *Patella* limpets. *Mar. Biol.* 150, 585–597. doi: 10.1007/s00227-006-0379-0
- Carreira, G. P. (2010). *Molecular Genetic Diversity and Shell Shape Variation in Patella limpets (Mollusca: Patellogastropoda): Evolutionary Inferences and Tools for Species Conservation in the North East Atlantic Ocean Archipelagos*. PhD. thesis, University of the Azores. Horta.
- Christiaens, J. (1968). Validité du nom *Patella piperata* Gould. *Bulletin du Muséum National D'Histoire Naturelle* II-40, 366–373.
- Christiaens, J. (1973). Révision du genre *Patella* (Mollusca, Gastropoda). *Bull. Muséum Natl. D'Histoire Nat.* 3, 1305–1391.
- Côrte-Real, H., Hawkins, S. J., and Thorpe, J. P. (1996a). An interpretation of the taxonomic relationship between the limpets *Patella rustica* and *P. piperata*. *J. Mar. Biol. Assoc. U. K.* 76, 717–732. doi: 10.1017/S0025315400031416
- Côrte-Real, H., Hawkins, S. J., and Thorpe, J. P. (1996b). Population differentiation and taxonomic status of the exploited limpet *Patella candei* in the Macaronesian islands (Azores, Madeira, Canaries). *Mar. Biol.* 125, 141–152. doi: 10.1007/BF00350768
- Crandall, K. A., Bininda-Emonds, O. R., Mace, G. M., and Wayne, R. K. (2000). Considering evolutionary processes in conservation biology. *Trends Ecol. Evol.* 15, 290–295. doi: 10.1016/S0169-5347(00)01876-0
- Cunha, R. L., Tenorio, M. J., Afonso, C., Castilho, R., and Zardoya, R. (2008). Replaying the tape: recurring biogeographical patterns in Cape Verde *Conus* after 12 million years. *Mol. Ecol.* 17, 885–901. doi: 10.1111/j.1365-294X.2007.03618.x
- Davis, M. A., Douglas, M. R., Collyer, M. L., and Douglas, M. E. (2016). Deconstructing a species-complex: geometric morphometric and molecular analyses define species in the western rattlesnake (*Crotalus viridis*) *PLoS ONE* 11:e0146166. doi: 10.1371/journal.pone.0146166
- Emerson, B. C. (1985). Evolution on oceanic islands: molecular phylogenetic approaches to understanding pattern and process. *Mol. Ecol.* 11, 951–966
- Felsenstein, J. (1985). Confidence-limits on phylogenies - an approach using the bootstrap. *Evolution* 39, 783–791. doi: 10.2307/2408678
- Ferraz, R. R., Menezes, G. M., and Santos, R. S. (2001). Limpet (*Patella* spp.) (Mollusca: Gastropoda) exploitation in the Azores, during the period 1993–1998. *Arquipélago-Life Mar. Sci. Part B. (Suppl 2)*, 59–65.
- Folmer, O., Black, M., Hoeh, W., Lutz, R., and Vrijenhoek, R. (1994). DNA primers for amplification of mitochondrial cytochrome c oxidase subunit I from diverse metazoan invertebrates. *Mol. Mar. Biol. Biotechnol.* 3, 294–299.
- Frankham, R. (2010). Challenges and opportunities of genetic approaches to biological conservation. *Biol. Conserv.* 143, 1919–1927. doi: 10.1016/j.biocon.2010.05.011
- Garnier, S., Magniez-Jannin, F., Rasplus, J. Y., and Alibert, P. (2005). When morphometry meets genetics: inferring the phylogeography of *Carabus solieri* using Fourier analyses of pronotum and male genitalia. *J. Evol. Biol.* 18, 269–280. doi: 10.1111/j.1420-9101.2004.00854.x
- Gonzalez-Lorenzo, G., Hernandez, E. M., Perez-Dionis, G., Hernandez, A. B., Santos, B. G., and Diez, J. B. (2015). Ineffective conservation threatens *Patella candei*, an endangered limpet endemic to the Macaronesian islands. *Biol. Conserv.* 192, 428–435. doi: 10.1016/j.biocon.2015.11.005
- Guindon, S., and Gascuel, O. (2003). A simple, fast, and accurate algorithm to estimate large phylogenies by maximum likelihood. *Syst. Biol.* 52, 696–704. doi: 10.1080/10635150390235520
- Hall, T. A. (1999). BioEdit: a user-friendly biological sequence alignment editor and analysis program for Windows 95/98/NT. *Nucleic Acids. Symp. Ser.* 41, 95–98.
- Hawkins, S. J., Côrte-Real, H., Pannacchiulli, F. G., Weber, L. C., and Bishop, J. D. D. (2000). Thoughts on the ecology and evolution of the intertidal biota of the Azores and other Atlantic islands. *Hydrobiologia* 440, 3–17. doi: 10.1023/A:1004118220083
- Hawkins, S. J. H. B., Côrte-Real, S. M., Martins, H. R., Santos, R. S., and Frias Martins, A. M. (1990). A note on the identity of *Patella* in the Azores. *Açoreana Supplement*, 167–173.
- Hilborn, R., Quinn, T. P., Schindler, D. E., and Rogers, D. E. (2003). Biocomplexity and fisheries sustainability. *Proc. Natl. Acad. Sci. U.S.A.* 100, 6564–6568. doi: 10.1073/pnas.1037274100
- Koufopanou, V., Reid, D. G., Ridgway, S. A., and Thomas, R. H. (1999). A molecular phylogeny of the patellid limpets (Gastropoda: Patellidae) and its implications for the origins of their antitropical distribution. *Mol. Phylogenet. Evol.* 11, 138–156. doi: 10.1006/mpev.1998.0557
- Lima, F. P., Queiroz, N., Ribeiro, P. A., Hawkins, S. J., and Santos, A. M. (2006). Recent changes in the distribution of a marine gastropod, *Patella rustica* Linnaeus, 1758, and their relationship to unusual climatic events. *J. Biogeogr.* 33, 812–822. doi: 10.1111/j.1365-2699.2006.01457.x
- Mariani, S., Peijnenburg, K., and Weetman, D. (2012). Independence of neutral and adaptive divergence in a low dispersal marine mollusc. *Mar. Ecol. Prog. Ser.* 446, 173–187. doi: 10.3354/meps09507
- Martins, G. M., Jenkins, S. R., Hawkins, S. J., Neto, A. I., and Thompson, R. C. (2008). Exploitation of rocky intertidal grazers: population status and potential impacts on community structure and functioning. *Aquat. Biol.* 3, 1–10. doi: 10.3354/ab00072
- Martins, G. M., Thompson, R. C., Neto, A. I., Hawkins, S. J., and Jenkins, S. R. (2010). Exploitation of intertidal grazers as a driver of community divergence. *J. Appl. Ecol.* 47:1282–1289. doi: 10.1111/j.1365-2664.2010.01876.x
- Merritt, T. J., Shi, L., Chase, M. C., Rex, M. A., Etter, R. J., and Quattro, J. M. (1998). Universal cytochrome b primers facilitate intraspecific studies in molluscan taxa. *Mol. Mar. Biol. Biotechnol.* 7, 7–11.
- Nei, M. (1987). *Molecular Evolutionary Genetics*. New York, NY: Columbia University Press.
- Nei, M., and Tajima, F. (1981). DNA polymorphism detectable by restriction endonucleases. *Genetics* 97, 145–163.
- Nice, C. C., and Shapiro, A. M. (1999). Molecular and morphological divergence in the butterfly genus *Lycaeides* (Lepidoptera: Lycaenidae) in North America: evidence of recent speciation. *J. Evol. Biol.* 12, 936–950. doi: 10.1046/j.1420-9101.1999.00111.x
- Nylander, J. A. A. (2004). *MrModeltest v2. Program Distributed by the Author*. Evolutionary Biology Centre; Uppsala University.
- Ridgway, S. A., Reid, D. G., Taylor, J. D., Branch, G. M., and Hodgson, A. N. (1998). A cladistic phylogeny of the family Patellidae (Mollusca:

- Gastropoda). *Philos. Trans. R. Soc. Lond. Ser. B. Biol. Sci.* 353, 1645–1671. doi: 10.1098/rstb.1998.0316
- Rohlf, F. J. (2006a). *tpsUtils, Version 1.37. Geometric Morphometric Software for the PC*. Copyright © 2006, F. J. Rohlf. Ecology and Evolution, SUNY at Stony Brook. Available online at: <http://life.bio.sunysb.edu/ee/rohlf/software.html>
- Rohlf, F. J. (2006b). *tpsDig, Version 2.10. Geometric Morphometric Software for the PC*. COPYRIGHT © 2006, F. J. Rohlf. Ecology and Evolution, SUNY at Stony Brook. Available online at: <http://life.bio.sunysb.edu/ee/rohlf/software.html>
- Rohlf, F. J. (2006c). *tpsRehw, Version 1.44. Geometric Morphometric Software for the PC*. Copyright © 2006, F. J. Rohlf. Ecology and Evolution, SUNY at Stony Brook. Available online at: <http://life.bio.sunysb.edu/ee/rohlf/software.html>
- Rohlf, F. J. (2006d). *tpsRegr, version 1.31. Geometric morphometric software for the PC*. Copyright © 2006, F. J. Rohlf. Ecology and Evolution, SUNY at Stony Brook. Available online at: <http://life.bio.sunysb.edu/ee/rohlf/software.html>
- Rozas, J., Sánchez-DelBarrio, J. C., Messeguer, X., and Rozas, R. (2003). DnaSP, DNA polymorphism analyses by the coalescent and other methods. *Bioinformatics* 19, 2496–2497. doi: 10.1093/bioinformatics/btg359
- Sá-Pinto, A., Branco, M., Sayanda, D., and Alexandrino, P. (2008). Patterns of colonization, evolution and gene flow in species of the genus *Patella* in the Macaronesian Islands. *Mol. Ecol.* 17, 519–532. doi: 10.1111/j.1365-294X.2007.03563.x
- Slatkin, M. (1987). Gene flow and the geographic structure of natural-populations. *Science* 236, 787–792. doi: 10.1126/science.3576198
- Strange, J. P., Garnery, L., and Sheppard, W. S. (2008). Morphological and molecular characterization of the Landes honey bee (*Apis mellifera* L.) ecotype for genetic conservation. *J. Insect Conserv.* 12, 527–537. doi: 10.1007/s10841-007-9093-6
- Swofford, D. L. (2003). *PAUP*: Phylogenetic Analysis Using Parsimony, * and other methods, Version 4.10B10*. Sunderland, MA: Sinauer Associates.
- Tamura, K., Dudley, J., Nei, M., and Kumar S. (2007). MEGA4: Molecular Evolutionary Genetics Analysis (MEGA) software version 4.0. *Mol. Biol. Evol.* 24, 1596–1599. doi: 10.1093/molbev/msm092
- Trussell, G. C. (2000). Phenotypic clines, plasticity, and morphological trade-offs in an intertidal snail. *Evolution* 54, 151–166. doi: 10.1111/j.0014-3820.2000.tb00016.x
- Weber, L. I., and Hawkins, S. J. (2002). Evolution of the limpet *Patella candei* d'Orbigny (Mollusca, Patellidae) in Atlantic archipelagos: human intervention and natural processes. *Biol. J. Linn. Soc.* 77, 341–353. doi: 10.1046/j.1095-8312.2002.00102.x
- Weber, L. I., and Hawkins, S. J. (2005). *Patella aspera* and *P-ulyssiponensis*: genetic evidence of speciation in the North-east Atlantic. *Mar. Biol.* 147, 153–162. doi: 10.1007/s00227-004-1540-2
- Whitlock, M. C. (2008). Evolutionary inference from Q(ST). *Mol. Ecol.* 17, 1885–1896. doi: 10.1111/j.1365-294X.2008.03712.x

Conflict of Interest Statement: The authors declare that the research was conducted in the absence of any commercial or financial relationships that could be construed as a potential conflict of interest.

Copyright © 2017 Carreira, Shaw, Gonçalves and McKeown. This is an open-access article distributed under the terms of the Creative Commons Attribution License (CC BY). The use, distribution or reproduction in other forums is permitted, provided the original author(s) or licensor are credited and that the original publication in this journal is cited, in accordance with accepted academic practice. No use, distribution or reproduction is permitted which does not comply with these terms.