



## OPEN ACCESS

## EDITED BY

Joshua D. Hutcheson,  
Florida International University,  
United States

## REVIEWED BY

Philippe De Deurwaerdere,  
Université de Bordeaux, France  
Sheryl E. Koch,  
University of Cincinnati, United States

## \*CORRESPONDENCE

Olivier Schussler  
olivier.schussler@gmail.com;  
olivier.schussler@aphp.fr

## SPECIALTY SECTION

This article was submitted to  
Heart Valve Disease,  
a section of the journal  
Frontiers in Cardiovascular Medicine

RECEIVED 16 March 2022

ACCEPTED 06 September 2022

PUBLISHED 25 October 2022

## CITATION

Schussler O, Maroteaux L, Jashari R,  
Falcoz P, Alifano M, Lecarpentier Y and  
Launay J-M (2022) First quantitative  
dosages: Strong correlations between  
non-5-HT<sub>2</sub>Rs serotonin receptors on  
normal human heart valves.  
*Front. Cardiovasc. Med.* 9:897657.  
doi: 10.3389/fcvm.2022.897657

## COPYRIGHT

© 2022 Schussler, Maroteaux, Jashari,  
Falcoz, Alifano, Lecarpentier and  
Launay. This is an open-access article  
distributed under the terms of the  
[Creative Commons Attribution License  
\(CC BY\)](https://creativecommons.org/licenses/by/4.0/). The use, distribution or  
reproduction in other forums is  
permitted, provided the original  
author(s) and the copyright owner(s)  
are credited and that the original  
publication in this journal is cited, in  
accordance with accepted academic  
practice. No use, distribution or  
reproduction is permitted which does  
not comply with these terms.

# First quantitative dosages: Strong correlations between non-5-HT<sub>2</sub>Rs serotonin receptors on normal human heart valves

Olivier Schussler<sup>1,2\*</sup>, Luc Maroteaux<sup>3,4,5</sup>, Ramadan Jashari<sup>6</sup>,  
Pierre Falcoz<sup>7</sup>, Marco Alifano<sup>8</sup>, Yves Lecarpentier<sup>9</sup> and  
Jean-Marie Launay<sup>10</sup>

<sup>1</sup>Research Laboratory, Department of Cardiovascular Surgery, Faculty of Medicine, Geneva University Hospital, Geneva, Switzerland, <sup>2</sup>Department of Thoracic Surgery, Hôpital Cochin, APHP, Paris, France, <sup>3</sup>INSERM UMR-S 1270, Paris, France, <sup>4</sup>Sorbonne Université, Paris, France, <sup>5</sup>Institut du Fer à Moulin, Paris, France, <sup>6</sup>European Homograft Bank, Brussels, Belgium, <sup>7</sup>Department of Thoracic Surgery, Nouvel Hôpital Civil, Hôpitaux de Strasbourg, Strasbourg, France, <sup>8</sup>AP-HP Centre, Université de Paris, Hôpital Cochin, Service Thoracique, Paris, France, <sup>9</sup>Centre de Recherche Clinique, Grand Hôpital de l'Est Francilien, Meaux, France, <sup>10</sup>INSERM-S 942, Centre for Biological Resources BB-0033-00064, University Paris, Hôpital Lariboisière, APHP, Paris, France

**Objectives:** Although critical in animal and human development and pathology, a measurement of the quantitative expression of 5-HTR serotonin receptors on animal or human valvular tissues has never been performed.

**Methods:** Quantification of the most frequent 5-HTRs reported as being present in human peripheral tissue was performed using radiolabeled agonists/antagonists. A membrane protein extract from normal human valves (aortic/mitral/tricuspid and some pulmonary) and associated diseased left myocardium, all unusable in clinics, were obtained from the Homograft bank.

**Results:** We analyzed 5-HT<sub>1A</sub>R/5-HT<sub>1B/D</sub>R/5-HT<sub>2A</sub>R/5-HT<sub>2B</sub>R/5-HT<sub>2C</sub>R/5-HT<sub>4</sub>R/5-HT<sub>7</sub>R from 28 hearts. We confirmed the presence of tissue and measured the quantitative content for respective proteins in femtomol/mg of protein extracts: for 5-HT<sub>2A</sub>R (35.9+/-0.7), 5-HT<sub>2B</sub>R (28.8+/-1.3) but also a newly observed and robust expression for 5-HT<sub>4</sub>R (38+/-4.2). We identified one, 5-HT<sub>1A</sub>Rs (4.9+/-0.3), and the possible expression, but at a very low level, of previously reported 5-HT<sub>1B/D</sub>Rs (1.3+/-0.5) as well as the new 5-HT<sub>7</sub>Rs (3.5+/-0.1) and 5-HT<sub>2C</sub>Rs (1.2+/-0.1). Interestingly, by using univariate analysis, we were able to observe many correlations between the different 5-HTR levels of expression especially between 5-HT<sub>1A</sub>R/5-HT<sub>1B/D</sub>R and also between 5-HT<sub>4</sub>R/5-HT<sub>7</sub>R, but none were observed between 5-HT<sub>2A</sub>R and 5-HT<sub>2B</sub>R. Using multivariate analyses for a specific 5-HTR level of expression, after adjustment for implantation sites and other 5-HTRs, we found that 5-HT<sub>1A</sub>R was correlated with 5-HT<sub>1B/D</sub>R; 5-HT<sub>4</sub>R with 5-HT<sub>7</sub>R and 5-HT<sub>1A</sub>R; 5-HT<sub>2B</sub>R with 5-HT<sub>2A</sub>R only. For 5-HT<sub>2C</sub>, no correlation was observed.

**Conclusion:** 5-HT<sub>2A</sub>R/5-HT<sub>2B</sub>R and 5-HT<sub>4</sub>R were all observed to have a high and equal level of expression on human valves, but that of 5-HT<sub>1A</sub>R

was more limited. Since these non-5-HT<sub>2</sub>R<sub>s</sub> are coupled with different G-proteins, with specific signaling, theoretically they may control the main 5-HT<sub>2</sub>R signaling (i.e., PLC/DAG-PKC-ERK/Ras/Src signaling) involved in valvular fibrosis and degeneration.

#### KEYWORDS

serotonin receptor 5-HTRs, human heart valves, serotonin 5-HT, quantitative expression, valvular degeneration, heart valve disease

## Introduction

The role of increased serotonin (5-HT) signaling in heart valvular development and disease is of growing importance and interest (1–4). The implication of 5-HT was first described in patients with carcinoid diseases presenting valvular injuries secondary to increased circulation of 5-HT. A secondary effect observed was the valvular toxicity of serotonergic receptor drug agonists (3). More recently, its role has been reported in myxoid valvular degeneration and mitral prolapse (MVP) (2, 3, 5). The common macroscopic and histological characteristics shared by drug-induced valvulopathy and acute rheumatic fever make it difficult to determine the involvement of 5-HT agonists in heart valve diseases (HVD) and to suggest the possibility of a similar serotonergic mechanism. In carcinoid tumors, increased circulation of 5-HT leads to the formation of “carcinoid plaques” at the valve surface and corresponds to activation of valvular interstitial cells (VIC) and the deposition of glycosaminoglycans (GAG) within the extracellular matrix (ECM). These lesions are very similar to those observed in patients under serotonin receptor drug agonist treatment. Valvulopathies associated with various serotonergic drugs have been shown to share a common feature in the form of activated 5-HT<sub>2B</sub>R receptors (5-HT<sub>2B</sub>R) (6–8). MVP is the most frequent heart valve disease affecting 2–3% of the population older than 65 years (9) and therefore millions of individuals in the world (9, 10). The pathophysiology of MVP involves “myxomatous degeneration”, defined as the accumulation of mucopolysaccharides and other ECM components and the activation of VICs that are responsible for the thickening and proliferative aspect of the valve tissue (3). It has been shown that 5-HT is locally secreted in the valvular cusps. One isoform of the enzyme involved in its synthesis, tryptophan hydroxylase 1 (TPH1), is enhanced by mechanical stimulation and in degenerative human myxomatous heart valves (11). The remodeling induced by these factors could be prevented by 5-HT<sub>2B</sub>R, 5-HT<sub>2A</sub>R, or TPH1 antagonists (11, 12).

Up to now, only the expression of the transcription factor for 5-HTRs has been investigated and not the true protein expression of the receptors (2, 3, 13). In humans with myxoid mitral valve regurgitation, observations have revealed an

up-regulation by qPCR on mitral prolapse tissue for 5-HT<sub>2A</sub>R, 5-HT<sub>2B</sub>R, and TPH1, but a decrease in the serotonin transporter (SERT). However, at the same time, on histological sections, only 5-HT<sub>2B</sub>R staining is enhanced (2), but not the 5-HT<sub>2A</sub>R staining. This highlights the fact that qPCRs are not accurate in defining protein expression.

While some authors of the present article have considerable experience in the quantitative dosage of 5-HTRs in tissues (14–16), these dosages have never been performed simultaneously in any animal or on human tissues. With respect to cardiac valvular cusps, the quantitative dosage for any 5-HTR has never been performed on animal or human tissues.

In this study, we not only confirmed the presence of 5-HT<sub>2A</sub>R and 5-HT<sub>2B</sub>R on human heart valves that are critical in valvular pathology but also demonstrated that these two receptors are expressed at the same level. In addition, we reported, for the first time, the presence and abundance of 5-HT<sub>4</sub>R, which was observed to be at the same level as 5-HT<sub>2A</sub>R and 5-HT<sub>2B</sub>R. Beside these three main receptors, many 5-HTRs were expressed at low levels, such as 5-HT<sub>1A</sub>R and 5-HT<sub>7</sub>R, or very low levels, such as 5-HT<sub>2C</sub>R or the 5-HT<sub>1B/D</sub>R reported earlier (17). Most interestingly, we found very strong correlations between the quantitative expressions of the following pairs of non-5-HT<sub>2</sub>R serotonin receptors: 1) 5-HT<sub>1A</sub>R and 5-HT<sub>1B/D</sub>R, 2) 5-HT<sub>4</sub>R and 5-HT<sub>7</sub>R. Unlike 5-HT<sub>2A</sub>R and 5-HT<sub>2B</sub>R that are coupled with a specific G-protein, Gq/G<sub>11</sub> (18), and thus cannot control cAMP levels. 5-HT<sub>1A</sub>R and 5-HT<sub>1B/D</sub>R are coupled with G-protein, Gi/Go, and can thus potentially decrease cAMP levels (18). 5-HT<sub>4</sub>R and 5-HT<sub>7</sub>R are coupled with another G-protein, Gs (18), and can thus increase cAMP. By controlling the level of non-5-HT<sub>2</sub>R expression and possible subsequent signaling, it may therefore be possible to control the main 5-HT<sub>2</sub>R signaling activity involved in valvular pathology.

## Materials and methods

### Human specimens

All experimental procedures were carried out in accordance with the ethical standards of the responsible institutional

and national committees on human experimentation, thereby respecting the Helsinki Declaration (1975). Normal human heart valves were obtained from the European homograft program in Belgium (19, 20). Patients or members of the patients' families gave their written consent. In this program, pulmonary valves and some aortic valves are generally used. In Brussels, for example, 50% of the pulmonary or aortic valves could not be used, mainly because of functional incompetence, morphological alteration, surgical cuts, or bacterial contamination (19, 21). Donors were younger than 55 years (20). A cardiac surgeon involved in the program collected only heart valve cusps and their associated left ventricles to be used as controls. Valvular cusps were put directly into three separate tubes for each valve and a piece of the associated left myocardium into three additional tubes and labeled. The project was approved by the institutional review boards of the University Hospital of Geneva, Switzerland [Approbation number CER: 12-150 (NAC 12-056)] and by a local committee at the European Homograft Bank in Brussels. After collection, the samples were preserved in N2 liquid vapor until transfer.

## Methods

Methods for membrane preparation have been previously reported (14) as well as the methods for membrane radiolabeling for specific 5-HTRs in other non-cardiac tissues (14, 15, 22).

## Reagents

### [<sup>3</sup>H] radioligands and drugs

The specific ligands used in the study, purchased from Perkin-Elmer Life Sciences, were as follows: for 5-HT<sub>1A</sub>R: agonist 8-OH-DPAT; for 5-HT<sub>1B/D</sub>R: agonist GTI (Serotonin-5-O-carboxymethyl-Glycyl-iodo-tyrosamine); for 5-HT<sub>2A</sub>R: antagonist MDL 100.97; for 5-HT<sub>2B</sub>R: antagonist LY26.6097; for 5-HT<sub>2C</sub>R: antagonist mesulergine; for 5-HT<sub>4</sub>R: antagonist GR113808; for 5-HT<sub>7</sub>R: antagonist Ly269970. The specificity of the different agonists or antagonists for each 5-HTR used in the study and the different results of membrane radioligand binding assays were discussed in an extensive review of the pharmacological consortium for 5-HTRs, in which one of the co-authors of the present study (Luc Maroteaux) was involved (23). In the radio-binding assay for each 5-HTR, the zero of fixation corresponded to the level of fixation obtained in the presence of the labeled 5-HTR agonist or antagonist and of very high amounts (i.e., 1 μM) of its unlabeled agonist or antagonist. In the radioligand binding assay, a positive signal above 5 fmol of radioligand binding per milligram of protein from the extract is considered to be true (23). Values of 0–5 fmol of this radio in femtomol/mg of protein extracts ligand binding per milligram may indicate that the binding is not in fact present.

## Membrane preparation

To prepare crude membranes for binding assays, the membrane cusps were washed twice with cold PBS and then harvested with a rubber policeman in 1.5 ml of PBS containing 1 μg/ml pepstatin, 1 μg/ml antipain, 15 μg/ml benzamidine, and 0.1 mM phenylmethylsulfonyl fluoride, as described earlier (14). After centrifugation, the resulting pellet was frozen at –70°C before homogenization. The frozen pellet was thawed at 37°C, resuspended in 10 ml of cold EDTA, 1 mM EGTA, 0.1 mM phenylmethylsulfonyl fluoride, and a 10 mM imidazole buffer pH 7.30, then centrifuged for 10 min at 5,000×g. The supernatant obtained from this centrifugation was collected, poured onto a 20% sucrose cushion, and then centrifuged for 90 min. at 100,000×g. The pellet containing the membrane was then resuspended in 75 mM KCl 5 mM MgCl<sub>2</sub> and a 1 mM EGTA 10 mM imidazole buffer pH 7.3 for use in binding assays. Protein contents were determined using the protein assay kit.

## Membrane radioligand binding assay

The different radiolabeled agonists or antagonists were incubated with a membrane protein extract of fresh human valvular cusp membranes as reported in earlier publications for other tissues (14, 15, 22). The different radiolabeled agonists or antagonists for the 5-HTRs were as follows: for 5-HT<sub>1A</sub>R: partial agonist [<sup>3</sup>H] 8OH-DPAT; for 5-HT<sub>1B/D</sub>R: [<sup>125</sup>I] GTI, for 5-HT<sub>2A</sub>R: antagonist [<sup>3</sup>H] MDL 100.97; for 5-HT<sub>2B</sub>R: antagonist [<sup>3</sup>H] LY26.6097; for 5-HT<sub>2C</sub>R: antagonist [<sup>3</sup>H] Mesulergine; for 5-HT<sub>4</sub>R: antagonist [<sup>3</sup>H] GR113808; for 5-HT<sub>7</sub>R: antagonist [<sup>3</sup>H] Ly269970.

Binding experiments were performed at room temperature and involved tissue shaking. Binding was initiated by the addition of 50 μl of 50 mM Tris Buffer, pH 7.40, containing 0.1–10 nM radiolabeled agonist or antagonist to 5-HTRs, or appropriate competing ligands to 50 μl of membrane (representing 20 μg of protein from heart valve extract). The preparations were incubated for 30 min at RT followed by the addition of 3 ml of ice-cold 50 mM Tris Buffer with a pH 7.40. Samples were filtered using polyethyleneimine-treated filters and counted. The specific binding was defined as the binding inhibited by 1 μM levels of unlabeled agonist/antagonist for each 5-HTR sub-type. All the experiments were performed in triplicate.

## Statistics

Mean comparisons between groups were performed using ANOVA. Correlations between quantitative variables were made using Spearman's Rank Correlation. Multivariate regression models were built to assess the independent relationships (each variable in relation to the others). Two types of models were used. In one type, we compared specific 5-HTR receptor levels

with explicative variables being another specific single 5-HTR and the sites of implantation (i.e., aortic/mitral or tricuspid). In the second type, we analyzed specific 5-HTR receptor levels with the explicative variables being all the other 5-HTRs and the sites of implantation (i.e., aortic/mitral or tricuspid). A  $P$ -value  $< 0.05$  was considered as statistically significant. Data processing and analysis were performed using the statistical software system SEM (SILEX Development, Mirefleurs, France).

## Results

### Quantitative expression of serotonin receptors on “normal” human heart valves and associated diseased left myocardium

Heart valve leaflets were harvested from donor heart recipients and comprised valves that were not suitable for transplantation. For all 28 hearts, we have at the same time tricuspid and mitral valves. For 14 of the 28 hearts, we also had the aortic valve and, for 3 of the 28 hearts, we had the four valves including the pulmonary valves. For all the 28 hearts, we also checked the expression of 5-HTRs in associated diseased left myocardium (i.e., mostly those having chronic cardiomyopathies, but with normal heart valves, or having an acute heart transplant dysfunction). All samples were collected from hearts obtained from patients younger than 55 years in the homograft program.

As shown in [Figure 1](#), 5-HT<sub>1A</sub>R, 5-HT<sub>1B/D</sub>R, 5-HT<sub>2A</sub>R, 5-HT<sub>2B</sub>R, 5-HT<sub>2C</sub>R, 5-HT<sub>4</sub>R, and 5-HT<sub>7</sub>R are detected on human heart valve cusps. Among the different 5-HTRs tested, 5-HT<sub>2A</sub>R, 5-HT<sub>2B</sub>R, and 5-HT<sub>4</sub>R were quantitatively the most abundant (see [Table 1](#) for mean values and SD). In this study, we confirmed the presence of 5-HT<sub>2A</sub>R and 5-HT<sub>2B</sub>R on human heart valves but also demonstrated that they were expressed in the same quantity. 5-HT<sub>4</sub>R has been reported in the myocardium but not on heart valves. The levels for 5-HT<sub>2A</sub>R/5-HT<sub>2B</sub>R/5-HT<sub>4</sub>R were around 30 femtomol/mg of proteins and thus very high ([23](#)).

For the first time, we reported the presence of one 5-HT<sub>1</sub>R receptor, the 5-HT<sub>1A</sub>R, at a low level (around 5 fmol/mg of proteins, or slightly above) which is nevertheless sufficient for specificity ([23](#)). We also detected a small amount of 5-HT<sub>1B/D</sub>R but at a very low level of around 1.3 femtomol/mg of proteins. Up to now, only 5-HT<sub>1B/D</sub>R ([17](#)) and not 5-HT<sub>1A</sub>R are present and functional on human heart valves ([17](#)).

Finally, we possibly detected a very low amount of 5-HT<sub>7</sub>R, around 3.5 femtomol/mg of proteins, and of 5-HT<sub>2C</sub>R around 1.5 femtomol/mg of proteins ([23](#)). Following univariate analyses, we did not observe any significant difference in the mean quantitative expression of specific 5-HTR receptors between the right and left side valves ([Figure 1](#)). When considering a particular patient and a specific 5-HTR, we only found a

statistically positive correlation between the different locations for 5-HT<sub>2B</sub>R, but not for the other 5-HTRs. For 5-HT<sub>2B</sub>R, there were correlations between aortic and tricuspid valves (correlation 0.75 [0.17; 1.34];  $P = 0.0042$ ;  $n = 14$ ; Spearman's Rank correlation) but not between aortic and mitral valves (correlation 0.077 [−0.38; 0.54];  $P = 0.71$ ;  $n = 28$ ; Spearman's Rank correlation; [Supplementary Figure S1](#)). Surprisingly, the expressions of 5-HTRs in valvular cusps were very similar to those observed for the left myocardium ventricle that we used as a control (i.e., mostly obtained from patients with cardiomyopathies but with normal valves).

### Comparisons between quantitative expressions of different serotonin receptors on human heart valves, using univariate analyses

As shown in [Table 2](#), following a univariate analysis that included all the valves (except pulmonary;  $n = 70 = 14 + 28 + 28$ ), we found numerous correlations between 5-HTR quantitative levels (i.e., Spearman's Rank correlation analysis). The highest correlations were found between 5-HT<sub>1A</sub>R and 5-HT<sub>1B/D</sub>R levels ( $r = +0.86$ ;  $P < 0.0000001$ ;  $n = 70$ ; [Figure 2A1](#)) and between 5-HT<sub>4</sub>R and 5-HT<sub>7</sub>R levels ( $r = +0.97$ ;  $P < 0.0000001$ ;  $n = 70$ ; [Figure 2A2](#)). 5-HT<sub>2C</sub>R was the only receptor to be negatively correlated with all the other 5-HTRs, including 5-HT<sub>2A</sub>R ( $r = -0.27$ ;  $P = 0.024$ ;  $n = 70$ ) and 5-HT<sub>2B</sub>R ( $r = -0.23$ ;  $P = 0.052$ ;  $n = 70$ ; [Figures 2B1–B4](#)). Using univariate analysis (Spearman's Rank Correlation;  $n = 70$  samples for each analysis), we were unable to find any correlation between 5-HT<sub>2A</sub>R and 5-HT<sub>2B</sub>R levels ([Figure 2D](#)) or between 5-HT<sub>2A</sub>R or 5-HT<sub>2B</sub>R levels and other 5-HTRs, except with 5-HT<sub>2C</sub>R. However, we found a strong negative correlation between 5-HT<sub>1A</sub>R levels and 5-HT<sub>4</sub>R levels ( $r = +0.37$ ;  $P = 0.0009$ ;  $n = 70$ ; [Figure 2C1](#)) and between 5-HT<sub>1A</sub>R levels and 5-HT<sub>7</sub>R levels ( $r = +0.38$ ;  $P = 0.0013$ ;  $n = 70$ ; [Figure 2C2](#); see also [Table 2](#)).

### Multivariate regression analyses

Using multivariate regression analysis, we first compared the expression of a specific 5-HTR receptor and examined, as possible explicative variables, other specific 5-HTR levels and implantation sites (i.e., aortic, mitral, tricuspid; [Table 3](#) and [Supplementary Figure S2](#)). We performed several different multivariate analyses and found the same type of significant correlations as revealed by univariate analysis. Each multivariate regression analysis was performed with 70 samples. Using multivariate regression analyses, after adjustment for implantation sites, 5-HT<sub>1A</sub>R levels were significantly correlated with 5-HT<sub>1B/D</sub>R levels (coef. +0.54

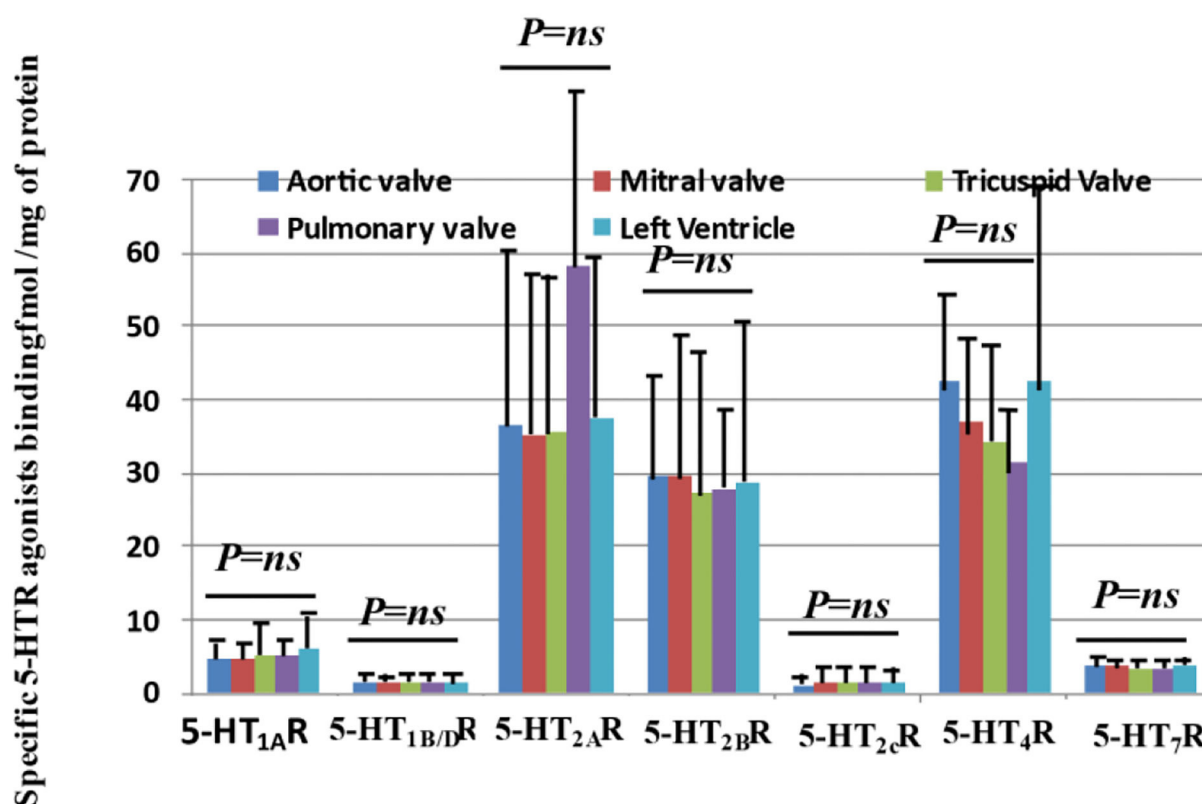


FIGURE 1

Quantitative expressions of 5-HTR receptors on human "normal" heart valves by radioligand binding affinity with the human left ventricle (i.e., diseased left cardiomyopathy) as a control. This figure shows the quantitative measurements of receptor expression for aortic, mitral, tricuspid, and pulmonary valves with the left ventricle as a control. Specific quantification of the protein expression for 5-HTRs (5-HT<sub>1A</sub>R, 5-HT<sub>1B/D</sub>R, 5-HT<sub>2A</sub>R, 5-HT<sub>2B</sub>R, 5-HT<sub>2C</sub>R, 5-HT<sub>4</sub>R, and 5-HT<sub>7</sub>R) on valvular tissue protein extract was performed with specific radioligands. 5-HT<sub>1A</sub>R and 5-HT<sub>1B/D</sub>R are known to be associated with a Gi/Go protein and thus decrease cAMP levels. On the other hand, 5-HT<sub>4</sub>R and 5-HT<sub>7</sub>R are associated with a Gs protein and thus increase cAMP levels. 5-HT<sub>2</sub>Rs are associated with another G-type protein (Gq/G<sub>11</sub>) and thus activate PLC, Src, and Ras. 5-HTR<sub>7</sub>R was the most recent receptor to be identified. Up until now, no quantification of 5-HTRs has been conducted on human heart valves. We had access to a total of 28 transplant hearts and had mitral and tricuspid sites for all of them. For 14 hearts, we had the three main sites (aortic/mitral/tricuspid), and for three hearts, we had four sites at the same time (including pulmonary site). All measurements of expression levels were performed in triplicate. As shown in this figure, all types of receptors we tested, known to be expressed in peripheral tissues, are expressed in valvular tissues, with the main receptors being quantitatively 5-HT<sub>2A</sub>R, 5HT<sub>2B</sub>R, and the unreported 5-HT<sub>4</sub>R. Interestingly, we did not observe any difference in terms of the level of expression between the different sides and sites investigated. Each bar diagram in the figure is based on 28 samples for tricuspid and mitral valves, with left ventricle as control, and 14 samples for the aortic position. P-values correspond to the results of ANOVA tests. No particular difference was observed between the right sides (i.e., tricuspid, pulmonary) and left sides (i.e., aortic, mitral) (ANOVA test). The pulmonary positions (i.e., only 3 samples available) tended to have the same level of expression as the other sites.

TABLE 1 Quantitative expression of the different 5-HTRs (i.e., 5-HT<sub>1A</sub>R, 5-HT<sub>1B/D</sub>R, 5-HT<sub>2A</sub>R, 5-HT<sub>2B</sub>R, 5-HT<sub>2C</sub>R, 5-HT<sub>4</sub>R, 5-HT<sub>7</sub>R) on human valvular cusps (i.e., aortic  $n = 14$ , mitral  $n = 28$ , tricuspid  $n = 28$  or pulmonary  $n = 3$ ) or on human left myocardium as a control ( $n = 28$ ) (see also Figure 1).

	5-HT <sub>1A</sub> R	5-HT <sub>1B/D</sub> R	5-HT <sub>2A</sub> R	5-HT <sub>2B</sub> R	5-HT <sub>2C</sub> R	5-HT <sub>4</sub> R	5-HT <sub>7</sub> R
Aortic, mean (SD)	4.8 (3.6)	1.3 (0.7)	36.7 (23.1)	29.5 (12.0)	1.1 (0.7)	42.7 (13.9)	3.7 (0.3)
Mitral, mean (SD)	4.7 (2.6)	1.4 (0.7)	35.5 (22.4)	29.7 (19.9)	1.3 (0.9)	37.1 (14.1)	3.5 (0.4)
Tricuspid, mean (SD)	5.3 (5.4)	1.4 (0.7)	35.5 (21.9)	27.2 (8.8)	1.2 (1.0)	34.3 (13.3)	3.5 (0.4)
Pulmonary, mean (SD)	5.2 (2.2)	1.5 (0.5)	58.1 (25.9)	27.9 (10.9)	1.5 (1.2)	31.3 (9.0)	3.4 (0.3)
Left myocardium, mean (SD)	6.1 (6.0)	1.4 (0.9)	37.4 (22.7)	28.9 (19.2)	1.3 (1.0)	42.3 (28.5)	3.6 (0.5)



TABLE 2 Statistical correlations between the different 5-HTR receptors following univariate analysis.

Factor 1; Factor 2	5-HT <sub>1B/D</sub> R	5-HT <sub>2A</sub> R	5-HT <sub>2B</sub> R	5-HT <sub>2C</sub> R	5-HT <sub>4</sub> R	5-HT <sub>7</sub> R
<b>Statistical comparisons between factor 1 and factor 2 following univariate analyses (n = 70)</b>						
5-HT <sub>1A</sub> R	<b><i>p</i> &lt; 0.0000001</b> <i>r</i> = +0.863	<i>p</i> = ns	<i>p</i> = ns	<b><i>p</i> &lt; 0.0000001</b> <i>r</i> = -0.63	<b><i>p</i> = 0.0009</b> <i>r</i> = +0.37	<b><i>p</i> = 0.0013</b> <i>r</i> = +0.38
5-HT <sub>1B/D</sub> R		<i>p</i> = ns	<i>p</i> = ns	<b><i>p</i> &lt; 0.0000001</b> <i>r</i> = -0.63	<b><i>p</i> = 0.00086</b> <i>r</i> = +0.39	<b><i>p</i> = 0.013</b> <i>r</i> = +0.38
5-HT <sub>2A</sub> R			<i>p</i> = ns	<b><i>p</i> = 0.024</b> <i>r</i> = -0.27	<i>p</i> = ns	<i>p</i> = ns
5-HT <sub>2B</sub> R				<i>p</i> = 0.052 <i>r</i> = -0.23	<i>p</i> = 0.083 <i>r</i> = +0.21	<i>p</i> = ns
5-HT <sub>2C</sub> R					<b><i>p</i> = 0.0096</b> <i>r</i> = -0.301	<b><i>p</i> = 0.0038</b> <i>r</i> = -0.34
5-HT <sub>4</sub> R						<b><i>p</i> &lt; 0.0000001</b> <i>r</i> = +0.97

*r* = correlation coefficient for the different univariate analyses SPERMAN Rank Correlation *n* = 70 for each specific analysis *p* = *p*-value. Bold are statistical values.

[+0.49; +0.54]; *P* < 0.0000001). Similarly, 5-HT<sub>4</sub>R levels were found to be correlated with 5-HT<sub>7</sub>R levels (coef. +0.56 [+0.50; +0.62]; *P* < 0.0000001).

In the second type of multivariate regression analyses (see Table 4 and Figure 3), we also compared the quantitative expression level for a specific 5-HTR, with the explicative variables being all the other 5-HTRs and the different implantation sites (i.e., aortic, mitral, tricuspid). Figure 3 shows only the significant interactions in our study, i.e., those with a *P*-value < 0.1 for the different multivariate analyses. The subsequent signaling (in yellow boxes) is only speculative. Each multivariate regression analysis included 70 samples. Correlation coefficients are reported only for *P*-values < 0.1. As in Table 4, following multivariate regression analysis, 5-HT<sub>1A</sub>R levels were independently correlated only with 5-HT<sub>1B/D</sub>R levels (coef. +1.53, [1.35; 1.7], *P* < 0.0000001). 5-HT<sub>4</sub>R levels were independently correlated with 5-HT<sub>7</sub>R levels (coef. +1.43 [+1.28; +1.58], *P* < 0.0000001) and 5-HT<sub>1A</sub>R levels (coef. +0.07 [+0.02; +0.12], *P* = 0.0087). 5-HT<sub>2B</sub>R levels were independently correlated with 5-HT<sub>2A</sub>R level only (coef. +0.20 [+0.01; +0.39]; *P* = 0.037).

One limitation of the study is that we just did check for correlations and but we did not check for causality. If the correlations are a result of direct causality and some of the 5-HTRs can be used to control for others, it might then be possible to explain the correlations through physical interaction between the different 5-HTRs in valvular tissue. Even if the different receptors are not present in the same cells, they can still interfere with other 5-HTR signaling. Regulation of the membrane expression of 5-HTRs may be a way of controlling their specific signaling. Putative mechanisms linking the level of expression of different 5-HTRs on heart leaflets and possible secondary signaling, especially with regard to

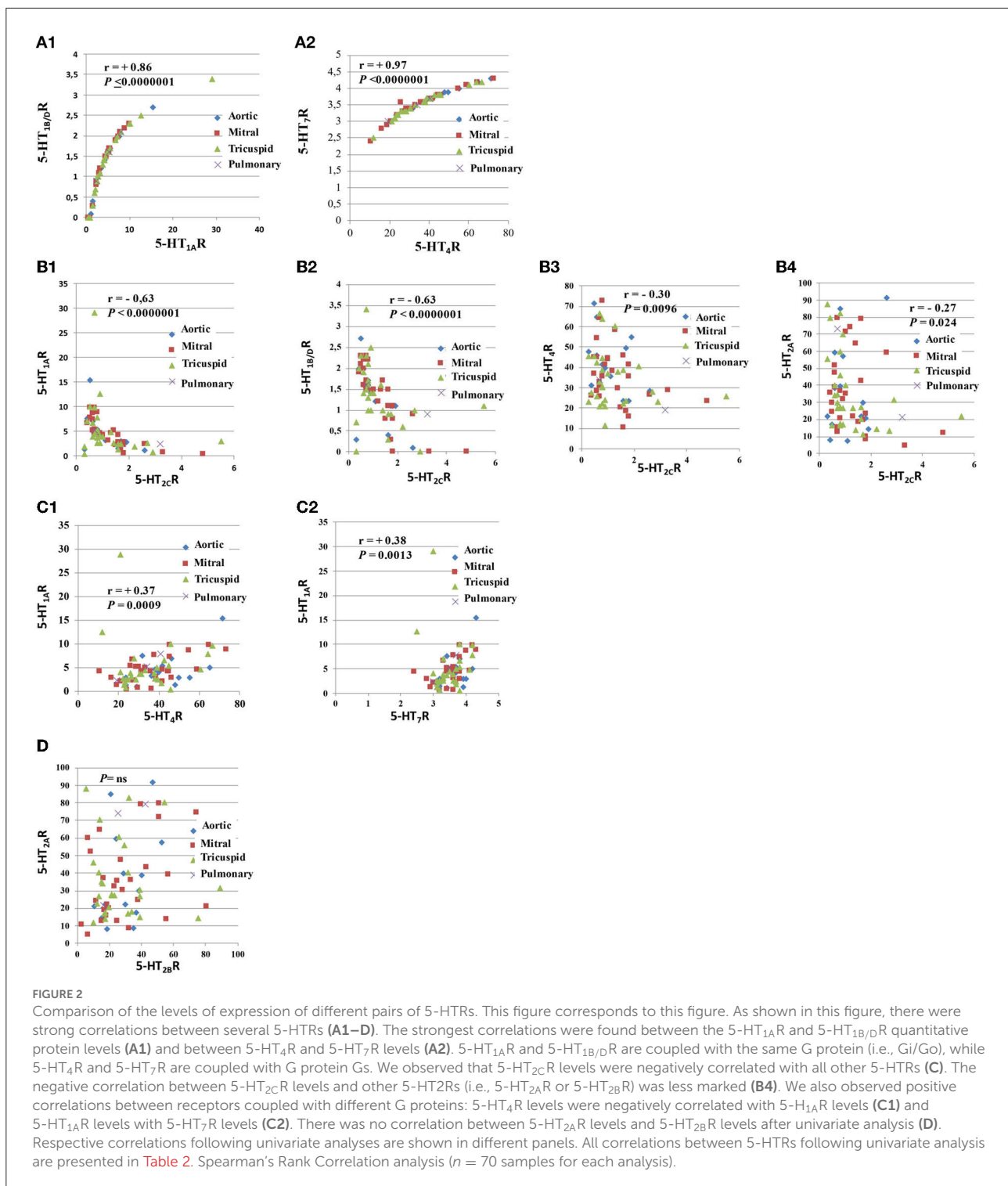
their respective known associated G proteins, are presented in Supplementary Figure S3.

## Discussion

In this study, we confirmed the expressions of 5-HT<sub>2A</sub>R and 5-HT<sub>2B</sub>R on human heart valve leaflets and, interestingly, also found that they were quantitatively very similar. We also reported, for the first time, the presence of 5-HT<sub>4</sub>R and at a very high level and in the same quantity as for 5-HT<sub>2A</sub>R and 5-HT<sub>2B</sub>R. 5-HT<sub>2A</sub>R and 5-HT<sub>2B</sub>R are known to be coupled with a specific G protein, Gq/G<sub>11</sub>, and thus cannot directly control the cAMP levels, while 5-HT<sub>4</sub>R are coupled with another G protein, Gs, (*s* = that stimulates adenylate cyclase activation), resulting in an increase in the intracellular cAMP concentration. Furthermore, we found a lower amount of 5-HT<sub>1A</sub>R and very low amounts of 5-HT<sub>7</sub>R, 5-HT<sub>1B/D</sub>R and 5-HT<sub>2C</sub>R. 5-HT<sub>1</sub>Rs are coupled with another G protein: Gi/G<sub>0</sub> (“i” for inhibiting the adenylate cyclase adenyl cyclase) and thus potentially decrease the cAMP levels, while 5-HT<sub>7</sub>Rs, like 5-HT<sub>4</sub>Rs, are coupled with Gs, and thus increase cAMP levels (18). To date, apart from 5-HT<sub>2A</sub>R and 5-HT<sub>2B</sub>R, only 5-HT<sub>1B/D</sub>R (which has a very low level of expression in our study) has been shown to be present and functional on heart valves (17).

## First quantitative dosage of 5-HT<sub>2A</sub>R and 5HT<sub>2B</sub>R on “normal” human leaflets

5-HT<sub>2A</sub>R, 5-HT<sub>2B</sub>R (2, 6), and possibly 5-HT<sub>1B/D</sub>R (17, 24) have been shown to play a role in human valvular pathology.



In this study, we confirmed the presence of 5-HT<sub>2A</sub>R and 5-HT<sub>2B</sub>R in human valvular leaflets but also observed that both were present at a very high level and in the same quantities, suggesting that both receptors may also play an important role in humans. Evidence of the involvement of serotonin in

valvular heart diseases, such as in degenerative myxoid heart valves, is increasing (3). As with mice, recent studies using microarray technology highlight the contribution of 5-HT<sub>2B</sub>R in pathological conditions, such as human myxomatous mitral disease (25) (for summary, see Figure 4). Recently, using qPCR,

TABLE 3 Multivariate analysis after adjustment for another 5-HTRs for implantation sites (see also of Supplementary Figure S3).

Factor 1; Factor 2	5-HT <sub>1B/D</sub> R	5-HT <sub>2A</sub> R	5-HT <sub>2B</sub> R	5-HT <sub>2C</sub> R	5-HT <sub>4</sub> R	5-HT <sub>7</sub> R
Level of expression of factor 1 after adjustment for factor 2 and implantation site (aortic/mitral/tricuspid) following multivariate analyses* (aortic n = 14, mitral n = 28, tricuspid n = 28)						
5-HT <sub>1A</sub> R	<i>p</i> = ns Coef. = +0.54 [0.49; 0.54]	<i>p</i> = ns	<i>p</i> = ns Coef. = -0.37 [-0.51; -0.23]	<i>p</i> = 0.0000019 Coef. = -0.37 [-0.51; -0.23]	<i>p</i> = 0.000055 Coef. = +0.24 [0.12; 0.35]	<i>p</i> = 0.0045 Coef. = +0.10 [0.03; 0.17]
5-HT <sub>1B/D</sub> R	<i>p</i> = ns	<i>p</i> = ns	<i>p</i> = ns Coef. = -0.67 [-0.93; -0.41]	<i>p</i> = 0.0000034 Coef. = -0.67 [-0.93; -0.41]	<i>p</i> = 0.00049 Coef. = +0.37 [0.16; 0.57]	<i>p</i> = 0.01 Coef. = +0.17 [0.04; 0.31]
5-HT <sub>2A</sub> R	<i>p</i> = 0.079 Coef. = +0.16 [-0.02; 0.34]	<i>p</i> = ns	<i>p</i> = 0.11 Coef. = -0.14 [-0.33; 0.03]	<i>p</i> = ns	<i>p</i> = ns	<i>p</i> = ns
5-HT <sub>2B</sub> R	<i>p</i> = ns	<i>p</i> = ns	<i>p</i> = ns	<i>p</i> = ns	<i>p</i> = ns	<i>p</i> = ns
5-HT <sub>2C</sub> R	<i>p</i> = ns	<i>p</i> = ns	<i>p</i> = ns	<i>p</i> = ns	<i>p</i> = 0.0068 Coef. = -0.23 [-0.4; -0.06]	<i>p</i> = 0.013 Coef. = -0.13 [-0.24; -0.03]
5-HT <sub>4</sub> R	<i>p</i> = ns	<i>p</i> = ns	<i>p</i> = ns	<i>p</i> = ns	<i>p</i> = ns	<i>p</i> = ns
						<i>p</i> < 0.0000001 Coef. = +0.56 [0.50; 0.62]

+Factor for adjustment in multivariate regression analyses after adjustment for another 5-HTRs and implantation sites. Each table presents the results of multivariate regression analysis with the explicative variables being all the other 5-HTRs. Only models with significant interactions are reported. Each model includes 70 samples. The different coefficients determined by multivariate regression analysis are only reported for those with a *p*-value of  $\leq 0.1$ . IC 95%: coefficient confidence level 95%. The pulmonary valves (*n* = 3) are not included in the analyses due to their low number in the study. Bold are statistical values.

5-HT<sub>2B</sub>Rs and 5-HT<sub>2A</sub>Rs have been reported as being over-expressed in human mitral valve prolapse, but only the 5-HT<sub>2B</sub>R protein was found to be increased in histological sections (2). Over-expression of mRNA for 5-HT<sub>2A</sub>R (x12) and 5-HT<sub>2B</sub>R (x28) has been observed on human heart valves in prolapses (2). However, another study using qPCR has not confirmed an increase in 5-HT<sub>2B</sub>R in human valvular prolapse (5). 5-HT<sub>2B</sub>R may also play a crucial role in the propensity of valvular tissue to develop calcification. Antagonists for 5-HT<sub>2B</sub>R have been shown to prevent aortic valve calcification by inhibiting VIC through physically arresting Src-tyrosin-kinase (26). In humans, as with mice, TPH1, the enzyme involved in its peripheral synthesis of serotonin (5-HT), is locally secreted in valvular leaflets and may play a crucial role in pathology. *In vitro*, its transcription is increased by mechanical stimulation only (12). *In vitro*, specific antagonists for 5-HT<sub>2A</sub>R, 5-HT<sub>2B</sub>R, and TPH1 also block the valvular remodeling induced by mechanical stimulation (12). *In vivo*, transcriptions for TPH1, 5-HT<sub>2A</sub>R, and 5-HT<sub>2B</sub>R are increased during valvular pathology (12).

## First quantitative dosage of non-5-HT<sub>2</sub>R (serotonin receptors) on "normal" human heart valves

In this study, we found a very high level of 5-HT<sub>4</sub>R as well as some 5-HT<sub>1</sub>R (i.e., 5-HT<sub>1A</sub>R) that had never been reported before. Recently, qPCR has been used in human adult leaflets, taking into account the limits of the technique because of possible alternative splicing (3, 13), to observe mRNA expression for 5-HT<sub>1A</sub>R, 5-HT<sub>1B/D</sub>R, 5-HT<sub>2A</sub>R, 5-HT<sub>2B</sub>R, 5-HT<sub>2C</sub>R, 5-HT<sub>4</sub>R, 5-HT<sub>5</sub>R, 5-HT<sub>6</sub>R, and SERT (2) (see Figure 4).

In the present study, we also reported a robust high quantitative protein expression of 5-HT<sub>4</sub>R on human leaflets. Until now, 5-HT<sub>4</sub>R has only been reported in the human myocardium and in association with atrial arrhythmias (29–32).

We reported the presence of several 5-HT<sub>1</sub>Rs (i.e., 5-HT<sub>1B/D</sub>R and 5-HT<sub>1A</sub>R) with a higher amount of 5-HT<sub>1A</sub>R than 5-HT<sub>1B/D</sub>R. Up to now, only the 5-HT<sub>1B/D</sub>Rs (3, 13) have been reported in human valve leaflets, but not the 5-HT<sub>1A</sub>Rs. 5-HT<sub>1B/D</sub>Rs have also been shown to play a role in valvular pathology (17, 24). In our study, we reported a very low level of expression for other 5-HT<sub>2</sub>Rs (i.e., 5-HT<sub>2C</sub>R). Earlier studies using the qPCR technique found a very low level of transcription for 5-HT<sub>2C</sub> (compared with 5-HT<sub>2A</sub>R or 5-HT<sub>2B</sub>R) in valvular tissue (-300x) (27).

Carcinoid tumors are known to be more often associated with valvular heart diseases on the right side. Most (90%) of the 5-HT synthesized in the body comes from the periphery, where it is mainly produced by gut enterochromaffin cells from the essential amino acid, tryptophan, and the limiting enzyme, tryptophan hydroxylase-1 (TPH1), and then taken by



TABLE 4 Factors controlling the expression of specific 5-HTR based on multivariate analysis after adjustment for all other 5-HTRs and implantation sites (see also Figure 4).

Principal variable + Factors for adjustment in multivariate analysis	Coef.	IC 95%	p-value
	<b>5-HT<sub>1A</sub>R</b>	<b>IC 95%</b>	<b>p-value</b>
5-HT <sub>1B/D</sub> R	1.53	[1.35; 1.7]	<i>p</i> < 0.0000001
5-HT <sub>2C</sub> R	−0.13	[−0.27; 0.01]	<i>p</i> = 0.082
	<b>5-HT<sub>1B</sub></b>	<b>IC 95%</b>	<b>p-value</b>
5-HT <sub>1A</sub> R	0.54	[0.49; 0.59]	<i>p</i> < 0.0000001
	<b>5-HT<sub>2A</sub></b>	<b>IC 95%</b>	<b>p-value</b>
5-HT <sub>2B</sub> R	0.26	[−0.02; 0.54]	<i>p</i> = 0.068
	<b>5-HT<sub>2B</sub></b>	<b>IC 95%</b>	<b>p-value</b>
5-HT <sub>2A</sub> R	0.20	[0.01; 0.39]	<i>p</i> = 0.037
5-HT <sub>7</sub> R	1.07	[−0.17; 2.33]	<i>p</i> = 0.091
5-HT <sub>4</sub> R	−0.6	[−1.38; 0.16]	<i>p</i> = 0.12
	<b>5-HT<sub>4</sub></b>	<b>IC 95%</b>	<b>p-value</b>
5-HT <sub>7</sub> R	1.43	[1.28; 1.58]	<i>p</i> < 0.0000001
5-HT <sub>1A</sub> R	0.07	[0.02; 0.12]	<i>p</i> = 0.0087
5-HT <sub>2B</sub> R	−0.06	[−0.12; 0.01]	<i>p</i> = 0.078
	<b>5-HT<sub>7</sub></b>	<b>IC 95%</b>	<b>p-value</b>
5-HT <sub>1A</sub> R	−0.42	[−0.56; −0.27]	<i>p</i> < 0.0000001

+Factor for adjustment in multivariate regression analyses for all other 5-HTRs and implantation sites.

Each table presents the results of multivariate regression analysis with the explicative variables being all the other 5-HTRs and the implantation sites. Only models with significant interactions are reported. Each model includes 70 samples. The different coefficients determined by multivariate regression analysis are only reported for those with a p-value of  $\leq 0.1$ . IC 95%: coefficient confidence level 95%.

Only factors with a p-value of below 0.1 in multivariate analyses are reported.

SERT and stored in platelet dense granula (33). After release, the 5-HT will thus predominantly react with the right-side valves before being degraded in the pulmonary circulation (33). This is also in agreement with observations in humans with the unusual involvement of valvular diseases of the left side, when an anomalous patent foramen is present, enabling blood from the right side to directly interact with the left heart valves. In animals, intravenous administration of 5-HT has been shown to be associated with right and left side diseases, while in humans some serotonin drug agonists have been shown to be associated with diseases on both sides. In our experiments, we did not find any differential expression for various 5-HTRs between the left and right sides. This study confirmed that it was rather the spatial distribution of the agonist 5-HT and not the spatial distribution of 5-HTRs between leaflets that explained the specific leaflet involvement. Our data are also in agreement with valvular development, in that during development, 5-HTRs are mainly expressed by neural crest cells, while SERT is expressed by secondary-heart-field cardiomyocytes. Both these cell types will be redistributed equally on the right and left side leaflets and thus 5-HTRs should be equally distributed between the different leaflets (34).

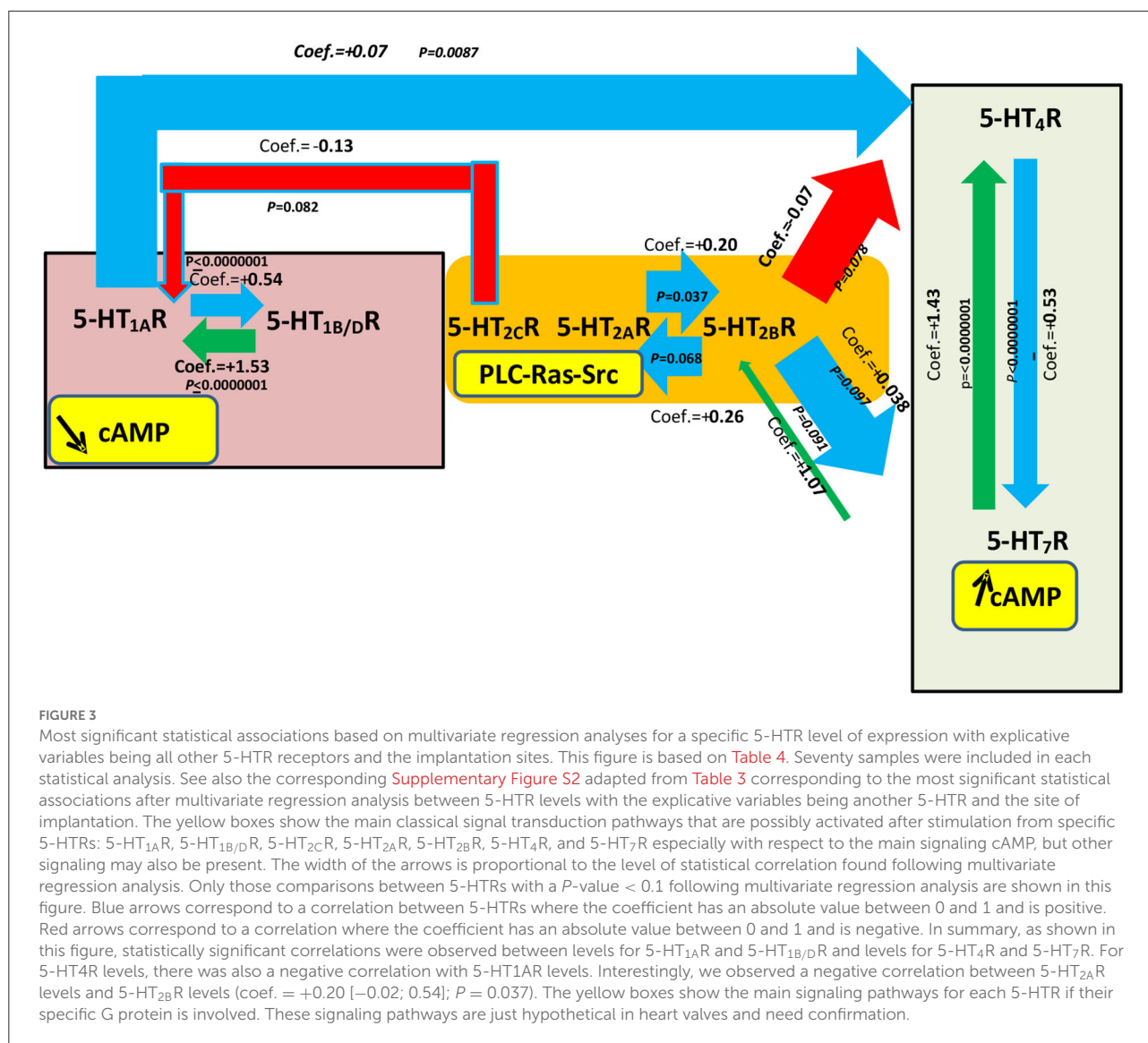
We reported strong correlations between the quantitative expressions of non-5-HT<sub>2</sub>R serotonin receptors on normal human heart valves.

We also observed very strong correlations between the quantitative expressions of 5-HT<sub>1A</sub>R and 5-HT<sub>1B/D</sub>R, and between 5-HT<sub>4</sub>R and 5-HT<sub>7</sub>R. We found that many non-5-HT<sub>2</sub>Rs had levels of membrane expression that were closely correlated with the level of other non-5-HT<sub>2</sub>Rs. Such a complex regulatory relationship has not been shown so far in any tissue. The highest correlations were observed between the quantitative expressions of proteins of 5-HT<sub>1A</sub>R and 5-HT<sub>1B/D</sub>R and between the quantitative expressions of proteins of 5-HT<sub>4</sub>R and 5-HT<sub>7</sub>R. While we had expected to find some correlations between 5-HT<sub>2A</sub>R and 5-HT<sub>2B</sub>R, we found none. Thus, it seems most probable that 5-HT<sub>2</sub>Rs, which are crucial for terminal valvular functionality and pathology, do not regulate each other.

The strongest correlations between 5-HTRs were found between 5-HT<sub>1A</sub>R and 5-HT<sub>1B/D</sub>R, both of which are associated with the same G protein (*Gi/GO*) and can thus decrease the cAMP levels, and between 5-HT<sub>4</sub>R and 5-HT<sub>7</sub>R, which are associated with another G protein, *Gs*, and can thus increase the cAMP levels (18).

## Explaining the different correlations between 5-HTR levels

Thanks to the quantitative assays we performed, revealing significant differences between the levels of 5-HTR expression



on human heart valve tissues, it would seem that the regulatory mechanisms of 5-HTR expression are probably not unique. As we discussed, several cell types are present in valvular leaflet preparation (i.e., endothelial cells, mesenchymal cells/fibroblasts/myofibroblasts, valvular interstitial cells). The control of the regulation of 5-HTRs between each other may not necessarily require physical contact between the different 5-HTRs. If the different receptors are on the same cells, they might form homodimers or interfere with other 5-HTR signaling or levels of expression. Heterodimerization can theoretically explain the tight correlations between the levels of 5-HTRs with the same levels of expression (i.e., with a high or a low level) such as for 5-HT<sub>1A</sub>R and 5-HT<sub>1B/D</sub>R that have the same low levels in our study. At the same time, heterodimerization cannot explain the strong correlations observed between 5-HT<sub>4</sub>R and 5-HT<sub>7</sub>R, which had levels of quantitative protein

expression that were very different. Thus other mechanisms are most likely involved.

Possible heterodimerization between non-5-HT<sub>2</sub>Rs for the regulation of their respective quantitative levels of expression has been reported in the literature for some tissues.

Heterodimerization requires that 5-HTRs are on the same cell and that there is some physical contact between 5-HTR monomers.

5-HTRs are present at the cell surface in a dynamic equilibrium with constant formation and dissociation of new receptor complexes (35). 5-HT<sub>2A</sub>R/5-HT<sub>2C</sub>R can function as stable homodimers, but 5-HT<sub>2B</sub>R homodimers have not yet been found (36). Dimers have also been documented for 5-HT<sub>1A</sub>R/5-HT<sub>1B/D</sub>R/5-HT<sub>4</sub>R/5-HT<sub>7</sub>R (36).

In cells in non-cardiac tissue, heterodimerization has been shown between 5-HT<sub>1B</sub>R and 5-HT<sub>1D</sub>R, 5-HT<sub>1A</sub>R and 5-HT<sub>7</sub>R,

Gene	TGFB	Quantitative PCR on Human Heart valves														SERT <sub>n</sub>	Ref.				
	SMAD	5HT1A	5HT1B	5HT1D	5HT1E	5HT1F	5HT2A	5HT2B	5HT2C	5HT3A	5HT4	5HT5A	5HT6	5HT7	TPH1						
Normal			+	+	+	+		+	+		+	+	+	+	+	+	+	20	1		
			+	+	+	+		+				+	+	+				+	4	2	
								+										+	?	3	
			-	+	+	-		+	+											4	
Mitral Prolaps			x(-5.2)	x(-3.8)	x(-4.2)	x(-2.5)		x(-1.4)											49	1	
			x(-2.5)	x(-3.2)	x(-2.7)	x(-2.5)		x(+12.5)	x(+26.4)	x(-3.7)		x(-4.2)	x(-3.2)		x(-3.2)				x(-5.2)	4	2
Mechanical Stimulation of normal								x(+4.0)	x(+5.0)											2	
Myxomatous valve degeneration																				?	3
								x(+3.3)											x(+3.3)	11	5
G associated proteins		Gi/G0				Gq/G11				Gs											

FIGURE 4

Most significant study results evaluating expression of 5-HTRs, TPH1, or SCC6 (i.e., the gene for SERT) by PCR on human samples in normal, prolapse, myxomatous degenerative valves, or under mechanical stimulation.  $n$  = number of samples analyzed. For PCR quantification for mitral prolapse and myxomatous valve degeneration, the values are compared to the normal. Ref. references for this figure/ 1) Levy et al. (5); 2) Driesbaugh et al. (2); 3) Hulin et al. (25); 4) Roy et al. (27); 5) Sainger et al. (28). See also for review: Ayme-Dietrich et al. (3) and Barnes et al. (11, 23).

5-HT<sub>1A</sub>R and 5-HT<sub>2A</sub>R, 5-HT<sub>2A</sub>R and 5-HT<sub>2B</sub>R, and, for 5-HT<sub>2C</sub>R, only with 5-HT<sub>2A</sub>R or 5-HT<sub>2B</sub>R (37).

A physical dimerization has been shown (38) between 5-HT<sub>1B</sub>R and 5-HT<sub>1D</sub>R, but not between 5-HT<sub>1A</sub>R and 5-HT<sub>1B/D</sub>R. Heterodimerization between Gi/0- and Gs-coupled receptors has also been reported, while heterodimerization between 5-HT<sub>1A</sub>R and 5-HT<sub>7</sub>R, has been demonstrated with inhibition of 5-HT<sub>1A</sub>R signaling (37). Heterodimerizations between Gi/0 and Gq have also been reported between 5-HT<sub>1A</sub>R and 5-HT<sub>2A</sub>R (37). 5-HT<sub>2B</sub>R heterodimerization with 5-HT<sub>1B/D</sub>R has been shown to increase 5-HT<sub>1B/D</sub>R internalization after 5-HT<sub>2B</sub>R stimulation with a specific agonist (37).

In cardiac fibroblasts, heterodimerization between 5-HT<sub>2B</sub>R and non-5-HTRs (i.e., angiotensin II) has been reported. In this experiment, in which one of the authors of the present study was involved, stimulation by angiotensin II promoted hypertrophy (39).

Besides homodimerization, in non-cardiac tissues, other complex signaling regulatory networks have been shown to allow, for a specific 5-HTR, the control of other 5-HTR expression levels.

On the same cell, but without the physical contact that is required for “heterodimerization”, the 5-HTRs can still theoretically control their respective levels of expression or signaling.

A general feature of GPCRs (i.e., “G-protein-coupled receptor families”) (35) such as 5-HTRs is the existence of complex intracellular regulatory mechanisms that modulate the receptor responsiveness. Receptor desensitization and down-regulation are well documented and are important for homeostatic mechanisms. Homologous desensitization occurs when a receptor decreases its response to an agonist at high concentrations. Heterologous desensitization involves desensitization after stimulation of another receptor. The serotonin agonist itself has been shown to provoke internalization of 5-HT<sub>2A</sub>R, 5-HT<sub>2B</sub>R, and 5-HT<sub>2C</sub>R. Stimulation of 5-HT<sub>1B</sub>R or 5-HT<sub>2B</sub>R without physical interaction has been shown to affect the internalization dynamics in a heterologous manner, especially for 5-HT<sub>2B</sub>R (15). It has been shown that the co-expression of 5-HT<sub>2B</sub>R with 5-HT<sub>1B</sub>R induces a marked acceleration of 5-HT<sub>1B</sub>R internalization, without direct physical interaction (15). Thus, 5-HT<sub>2B</sub>R can control and diminish

5-HT<sub>1B/D</sub>R membrane expression levels by inducing their internalization.

Serotonin signaling is known to be one of the few key pathways involved in human myxoid valve degeneration.

Heart valves are dynamic multilayered structures that are actively remodeled by activation of the main cellular type, the valve interstitial cells (VICs). In adults, VICs are quiescent but become activated by mechanical stimuli.

*In vitro*, on human mitral valvular interstitial cells, it has been shown that mechanical stress induces an early and transient TGF- $\beta$ 2,  $\alpha$ SMA, and CTGF (i.e., profibrotic growth factor). The signaling pathways are RhoC/ROCK/MRTF-A and ERK1/2 (40). The 5-HT<sub>2B</sub>R antagonists do not inhibit the canonical TGF- $\beta$ /smad3 phosphorylation but prevent the non-canonical p38 MAPK phosphorylation by physically arresting Src (26). With the progression of valvular disease, there is a progressive shift from initial canonical TGF- $\beta$  pathways (Smad 2/3/4) to TGF- $\beta$  (Smad 5/6/7), BMP, and the canonical Wnt signaling (41). The myxoid heart valve has been related to serotonin (2, 42), angiotensin II (43), and activation of TGF- $\beta$  pathways (44). In humans, several studies have shown a possible link between serotonin 5-HT dysregulation and the development of MVR. It has been shown that 5-HT is locally secreted in valvular cusps and the enzyme involved in its synthesis, the TPH1 is enhanced in the degenerative human myxomatous heart valve (11). In humans, recent observations have revealed an up-regulation of RNAs for 5-HT<sub>2A</sub>R and 5-HT<sub>2B</sub>R (2). *In vitro*, tissue leaflet remodeling can be prevented by an antagonist for 5-HT<sub>2A</sub>R or 5-HT<sub>2B</sub>R only, or an inhibitor of TPH1 (12). Today, it is increasingly recognized that mechanical stress is a major etiological factor underlying soft connective tissue remodeling, including pathological MVP. Various studies in animal and human hearts with aortic and mitral valve leaflets have shown that mechanical stimulation is associated with VICs activation toward SMC phenotypes, increased synthesis of PGs, GAGs, and collagen as well as an increased expression of proteolytic enzymes.

In humans with myxomatous degenerative mitral heart valves ( $n = 11$ ), on the regurgitating leaflet, an up-regulation of RNA expression was observed on mitral prolapse tissue for 5-HT<sub>2A</sub>R (12x) and 5-HT<sub>2B</sub>R (28x), and a decrease in 5-HT<sub>1A</sub>R (-2.5x), 5-HT<sub>1B/D</sub>R (-2.7x), and 5-HT<sub>2C</sub>R (-3.7x). There was also an increase in 5-HT<sub>4</sub>R (2.9x) and TGF- $\beta$ 2 (3x) and a decrease in SERT (-6x; see Figure 4). Another recent study, using also qPCR in patients ( $n = 44$ ) with MV prolapse, has shown no up-regulation of 5-HT<sub>2A</sub>R, while 5-HT<sub>2B</sub>R was even down-regulated: (-1.4x), 5-HT<sub>2C</sub>R (-3.9x), 5-HT<sub>1B</sub>R (-5.5x), 5-HT<sub>1D</sub>R (-3.1), 5-HT<sub>7</sub>R (-3.2x), and SERT (-5.2x). In this study, TPH1 has been shown to be down-regulated (-2.3x) but 5-HT<sub>1A</sub>R and 5-HT<sub>4</sub>R were not significantly changed (5) (see Figure 4). TGF- $\beta$ 2 was again increased (2.3x), especially BMP4 (+2.0x), but not BMP3 (-2.7x) or BMP5 (-4.9x). The blockers of SERT *in vitro* increased the 5-HT<sub>2B</sub>R on VIC (5).

Regulation of the level of specific non-5-HT<sub>2</sub>Rs and subsequent signaling, especially regarding cAMP signaling, might theoretically be a way of interfering with valvular pathological progression.

The 5-HT<sub>2A</sub>R and 5-HT<sub>2B</sub>R signaling is essential in human valvulopathy and involves activation of Gq/G11 proteins and subsequent PLC/DAG-PKC-ERK/Ras/Src signaling. 5-HT<sub>2A</sub>R and 5-HT<sub>2B</sub>R, in general tissue in animals and humans, are associated with increased fibrosis. In animal and human heart valves, 5-HT<sub>2A</sub>R and 5-HT<sub>2B</sub>R are also associated with valvular fibrosis (3). Among the different 5-HTRs, only HT<sub>2A</sub>R and 5-HT<sub>2B</sub>R have been shown, in both animals and humans, to be associated with valvular pathology (3). None of the other 5-HTRs have been shown to have such a capacity (3). In mice and humans, 5-HT<sub>2A</sub>R and 5-HT<sub>2B</sub>R, and subsequent PLC/DAG-PKC-ERK/Ras/Src signaling, have been reported to be associated with valvular fibrosis and, among different 5-HTRs, are the key 5-HTRs involved in the degeneration process (2, 5, 11, 12, 23, 42). In animal and human myxomatous degenerative valves, the local secretion of serotonin is also increased with increased TPH1 (11). We hypothesize that this signaling might be controlled by the regulation of non-5-HT<sub>2</sub>Rs in particular (i.e., 5-HT<sub>1A</sub>R, 5-HT<sub>1B/D</sub>R, 5-HT<sub>4</sub>R, and 5-HT<sub>7</sub>R), which can regulate the cAMP levels. The role of cAMP is to inhibit ERK1/2 and Smad 2/3/4 and to stimulate Notch and PKA, a role that has been reviewed recently (45). By acting on cAMP levels, the non-5-HT<sub>2</sub>Rs may promote or reduce fibrosis.

## Limitations of the study

One limitation of the study is that the levels of expression for 5-HTRs, other than 5-HT<sub>2A</sub>R, 5-HT<sub>2B</sub>R and 5-HT<sub>4</sub>R, were very low, below the standard detection level for pharmacology assays that is around 5 fmol of ligand binding per mg of protein extracts (23). With respect to 5-HT<sub>1A</sub>Rs, their levels of expression were 5.3 ( $\pm$ 5.4) fmol/mg of protein in tricuspid position and 4.7 ( $\pm$ 2.6) fmol/mg of protein in mitral position (23).

In our study, 5-HT<sub>1B/D</sub>Rs presented one of the lowest levels of expression, with a level of around 1.4 ( $\pm$ 0.7) fmol/mg of protein for the different valvular positions and thus far below the 5 fmol/mg level of proteins. However, its true presence and functionality have been proven by other groups in mice (24) and human fibroblasts derived from human heart valves (17).

In recent studies comparing normal human valvular leaflets and regurgitating leaflets, RNA expression was observed on normal valve and mitral prolapse tissues for most 5-HTRs that we identified in this study: 5-HT<sub>1B/D</sub>R, 5-HT<sub>1A</sub>R, 5-HT<sub>2A</sub>R, 5-HT<sub>2B</sub>R, 5-HT<sub>2C</sub>R, and R 5-HT<sub>4</sub>R (2, 4).

The best correlations we found were between 5-HT<sub>1A</sub>R and 5-HT<sub>1B/D</sub>R and between 5-HT<sub>4</sub>R and 5-HT<sub>7</sub>R. Since we are below the theoretical level of 5 fmol/mg of proteins for 5-HT<sub>1A</sub>R, 5-HT<sub>1B/D</sub>R, and 5-HT<sub>7</sub>R, we cannot exclude

that for these receptors the interactions with the specific agonist may not be real. In a recent study on human mitral prolapse compared to human normal valve, the variations for 5-HT<sub>1A</sub>R and 5-HT<sub>1B/D</sub>R are almost the same [i.e., (−2.5x) and (−2.7x)], suggesting that a possible close regulatory relationship between these receptors in human pathology may exist (2, 4).

Another important limitation of the study is that we performed the analysis on an extract taken from the valvular tissues and not on a specific cellular population subtype. Heterodimerization between serotonin receptors requires that 5-HTR receptors be on the same cell. We cannot prove this. At the same time, in human valvular tissues, the expression of 5-HTR has so far been shown to be limited to a few cell types in valves (i.e., endothelial cells, fibroblasts/myofibroblasts, and interstitial valvular cells) (2, 17). The overall idea of having possible crosstalk between different cell types to regulate the level of expression of serotonin 5-HT receptors is still valid at the level of the overall preparation.

In this study, we did not specifically investigate signaling proteins in the preparation for cAMP or other signaling and all the mechanisms evoked were merely putative. Considering the 5-HTRs, it is known that their main signaling mechanism is due to their associated G proteins (18). At the same time, signal transduction following 5-HTR stimulation by agonists is not limited to the signal associated with their G protein, and each 5-HTR has a specific signal (18). 5-HT<sub>1</sub>R<sub>s</sub> inhibit the adenylate cyclase (AC) and thus decrease cAMP. Both 5-HT<sub>1A</sub>R and 5-HT<sub>1B/D</sub>R stimulate ERK. In addition, 5-HT<sub>1A</sub>R frequently activates the K<sup>+</sup> channel and inhibits the Ca<sup>2+</sup> conductance. There are other pathways such as PLC and NOS (18). 5-HT<sub>7</sub>R activates AC and PKA as well as ERK (18). With respect to 5-HT<sub>2A</sub>R and 5HT<sub>2B</sub>R, they have the same main signaling: PLC, ERK, and PLA2. However, 5-HT<sub>2A</sub>R also activates PKC, and is responsible for the activation or inhibition of AC, and the activation of Jak2, Stat3, and Ca<sup>2+</sup> channels. 5-HT<sub>2B</sub> can also activate the cell cycle and iNOS. Like other 5-HT<sub>2</sub>R<sub>s</sub>, 5-HT<sub>2B</sub> can also activate ERK1/2. Finally, 5-HT<sub>4</sub>R can activate AC and various channels.

Another limitation of our study is that we only identified correlations between 5-HTRs and did not check for possible causality. This should be evaluated in future studies.

## Conclusion and future directions

In conclusion, our study reveals that many 5-HTR proteins are present in the extract of “normal” human valvular leaflets, especially 5-HT<sub>2A</sub>R, 5-HT<sub>2B</sub>R and the newly reported 5-HT<sub>4</sub>R, all three of which were observed at similar levels. There is also a smaller amount of 5-HT<sub>1A</sub>R and a possible expression of 5-HT<sub>1B/D</sub> R and 5-HT<sub>2C</sub>R, but at even lower levels. All these 5-HTRs are known to be linked to specific G proteins:

*G<sub>i</sub>/G<sub>0</sub>*, *G<sub>q</sub>/G<sub>11</sub>*, or *G<sub>s</sub>*. Interestingly, very strong correlations were found between non-5-HT<sub>2B</sub>R levels, especially between 5-HT<sub>1A</sub>R and 5-HT<sub>1B/D</sub>R and between 5-HT<sub>4</sub>R and 5-HT<sub>7</sub>R. 5-HT<sub>1A</sub>R and 5-HT<sub>1B/D</sub>R are associated with the same G-protein (*G<sub>s</sub>*) and can thus increase the cAMP in valvular tissue, while 5-HT<sub>1A</sub>R and 5-HT<sub>1B/D</sub>R are coupled to another G protein (*G<sub>i</sub>/G<sub>0</sub>*) and can thus theoretically decrease cAMP. All these signaling mechanisms, and particularly their associated proteins, need to be assessed, If other groups can show causality, rather than just the presence of correlations between expressions of 5-HTRs, as we have done in this study, the regulation of the level of expression of non-5-HT<sub>2</sub>R<sub>s</sub>, and subsequent signaling, might be a way to control the signaling activity of 5-H<sub>2</sub>B<sub>R</sub> and 5-HT<sub>2A</sub>R, which are the main serotonin receptors involved in animal and human pathology (i.e., PLC, ERK1/2, IP3, Ca<sup>2+</sup>, Src, Ras, and TGF-β).

## Data availability statement

The original contributions presented in the study are included in the article/Supplementary material, further inquiries can be directed to the corresponding author.

## Ethics statement

The studies involving human participants were reviewed and approved by Human Specimens. All experimental procedures were done in accordance with the ethical standards of the responsible institutional and national committee on human experimentation, adhering to the Helsinki Declaration (1975). Patient or patient’s family gave their written consent to the program of homograft. The project was approved by the Institutional Review Boards of the University Hospital of Geneva, Switzerland [Approbation number CER: 12-150 (NAC 12-056)] and by a local committee at the European Homograft Bank in Brussels, Belgium. The patients/participants provided their written informed consent to participate in this study.

## Author contributions

OS, LM, and YL: design. RJ: samples collection. J-ML: quantitative dosages. OS and MA: statistics. All authors participate in the drafting of manuscript, read, and approved the submission of the manuscript.

## Acknowledgments

The authors would like to thank Brian Keogh for rereading and improving the English in the manuscript.



## Conflict of interest

The authors declare that the research was conducted in the absence of any commercial or financial relationships that could be construed as a potential conflict of interest.

## Publisher's note

All claims expressed in this article are solely those of the authors and do not necessarily represent those of their affiliated

organizations, or those of the publisher, the editors and the reviewers. Any product that may be evaluated in this article, or claim that may be made by its manufacturer, is not guaranteed or endorsed by the publisher.

## Supplementary material

The Supplementary Material for this article can be found online at: <https://www.frontiersin.org/articles/10.3389/fcvm.2022.897657/full#supplementary-material>

## References

- Ayme-Dietrich E, Lawson R, Cote F, de Tapia C, Da Silva S, Ebel C, et al. The role of 5-HT<sub>2B</sub> receptors in mitral valvulopathy: bone marrow mobilization of endothelial progenitors. *Br J Pharmacol.* (2017) 174:4123–39. doi: 10.1111/bph.13981
- Driesbaugh KH, Branchetti E, Grau JB, Keeney SJ, Glass K, Oyama MA, et al. Serotonin receptor 2B signaling with interstitial cell activation and leaflet remodeling in degenerative mitral regurgitation. *J Mol Cell Cardiol.* (2018) 115:94–103. doi: 10.1016/j.yjmcc.2017.12.014
- Ayme-Dietrich E, Lawson R, Da-Silva S, Mazzucotelli JP, Monassier L. Serotonin contribution to cardiac valve degeneration: new insights for novel therapies? *Pharmacol Res.* (2019) 140:33–42. doi: 10.1016/j.phrs.2018.09.009
- Thalji NM, Hagler MA, Zhang H, Casacang-Verzosa G, Nair AA, Suri RM, et al. Nonbiased molecular screening identifies novel molecular regulators of fibrogenic and proliferative signaling in myxomatous mitral valve disease. *Circ Cardiovasc Genet.* (2015) 8:516–28. doi: 10.1161/CIRCGENETICS.114.000921
- Levy RJ, Fitzpatrick E, Castellero E, Shukla HJ, Inamdar VV, Aghali AE, et al. Inhibition and down regulation of the serotonin transporter contribute to the progression of degenerative mitral regurgitation. *bioRxiv.* (2020) doi: 10.1101/2020.03.10.985382
- Hutcheson JD, Setola V, Roth BL, Merryman WD. Serotonin receptors and heart valve disease: it was meant 2B. *Pharmacol Ther.* (2011) 132:146–57. doi: 10.1016/j.pharmthera.2011.03.008
- Rothman RB, Baumann MH, Savage JE, Rauser L, McBride A, Hufeisen SJ, et al. Evidence for possible involvement of 5-HT<sub>2B</sub> receptors in the cardiac valvulopathy associated with fenfluramine and other serotonergic medications. *Circulation.* (2000) 102:2836–41. doi: 10.1161/01.CIR.102.23.2836
- Dawson P, Moffatt JD. Cardiovascular toxicity of novel psychoactive drugs: lessons from the past. *Prog Neuropsychopharmacol Biol Psychiatry.* (2012) 39:244–52. doi: 10.1016/j.pnpbp.2012.05.003
- Virani SS, Alonso A, Aparicio HJ, Benjamin EJ, Bittencourt MS, Callaway CW, et al. Heart disease and stroke statistics-2021 update: a report from the American heart association. *Circulation.* (2021) 143:e254–743. doi: 10.1161/CIR.0000000000000950
- Guy TS, Hill AC. Mitral valve prolapse. *Annu Rev Med.* (2012) 63:277–92. doi: 10.1146/annurev-med-022811-091602
- Disatian S, Lacerda C, Orton EC. Tryptophan hydroxylase 1 expression is increased in phenotype-altered canine and human degenerative myxomatous mitral valves. *J Heart Valve Dis.* (2010) 19:71–8.
- Lacerda CM, Maclea HB, Kisiday JD, Orton EC. Static and cyclic tensile strain induce myxomatous effector proteins and serotonin in canine mitral valves. *J Vet Cardiol.* (2012) 14:223–30. doi: 10.1016/j.jvc.2011.12.002
- Roy A, Brand NJ, Yacoub MH. Expression of 5-hydroxytryptamine receptor subtype messenger RNA in interstitial cells from human heart valves. *J Heart Valve Dis.* (2000) 9:256–60; discussion 260–1.
- Loric S, Maroteaux L, Kellermann O, Launay JM. Functional serotonin-2B receptors are expressed by a teratocarcinoma-derived cell line during serotonergic differentiation. *Mol Pharmacol.* (1995) 47:458–66.
- Janoshazi A, Deraet M, Callebert J, Setola V, Guenther S, Saubamea B, et al. Modified receptor internalization upon coexpression of 5-HT<sub>1B</sub> receptor and 5-HT<sub>2B</sub> receptors. *Mol Pharmacol.* (2007) 71:1463–74. doi: 10.1124/mol.106.032656
- Belmer A, Doly S, Setola V, Banas SM, Moutkine I, Boutourlinsky K, et al. Role of the N-terminal region in G protein-coupled receptor functions: negative modulation revealed by 5-HT<sub>2B</sub> receptor polymorphisms. *Mol Pharmacol.* (2013) 85:127–38. doi: 10.1124/mol.113.089086
- Seuwen K, Magnaldo I, Pouyssegur J. Serotonin stimulates DNA synthesis in fibroblasts acting through 5-HT<sub>1B</sub> receptors coupled to a Gi-protein. *Nature.* (1988) 335:254–6. doi: 10.1038/335254a0
- Raymond JR, Mukhin YV, Gelasco A, Turner J, Collinsworth G, Gettys TW, et al. Multiplicity of mechanisms of serotonin receptor signal transduction. *Pharmacol Ther.* (2001) 92:179–212. doi: 10.1016/S0163-7258(01)00169-3
- Jashari R. Transplantation of cryopreserved human heart valves in Europe: 30 years of banking in Brussels and future perspectives. *Cell Tissue Bank.* (2021) 22:519–37. doi: 10.1007/s10561-021-09902-2
- Jashari R, Van Hoec B, Tabaku M, Vanderkelen A. Banking of the human heart valves and the arteries at the European homograft bank (EHB): overview of a 14-year activity in this international association in brussels. *Cell Tissue Bank.* (2004) 5:239–51. doi: 10.1007/s10561-004-1441-0
- Leeten K, Ditkowski B, Jashari R, Mela P, Jones EAV, Heying R. An *in vitro* model to study endothelialization of cardiac graft tissues under flow. *Tissue Eng C Methods.* (2021) 27:233–41. doi: 10.1089/ten.tec.2020.0359
- Loric S, Launay JM, Colas JF, Maroteaux L. New mouse 5-HT<sub>2</sub>-like receptor. Expression in brain, heart and intestine. *FEBS Lett.* (1992) 312:203–7. doi: 10.1016/0014-5793(92)80936-B
- Barnes NM, Ahern GP, Becamel C, Bockaert J, Camilleri M, Chaumont-Dubel S, et al. International union of basic and clinical pharmacology. CX Classification of receptors for 5-hydroxytryptamine; pharmacology and function. *Pharmacol Rev.* (2021) 73:310–520. doi: 10.1124/pr.118.015552
- Mekontso-Dessap A, Brouri F, Pascal O, Lechat P, Hanoun N, Lanfumey L, et al. Deficiency of the 5-hydroxytryptamine transporter gene leads to cardiac fibrosis and valvulopathy in mice. *Circulation.* (2006) 113:81–9. doi: 10.1161/CIRCULATIONAHA.105.554667
- Hulin A, Deroanne C, Lambert C, Defraigne JO, Nusgens B, Radermecker M, et al. Emerging pathogenic mechanisms in human myxomatous mitral valve: lessons from past and novel data. *Cardiovasc Pathol.* (2012) 22:245–50. doi: 10.1016/j.carpath.2012.11.001
- Hutcheson JD, Ryzhova LM, Setola V, Merryman WD. 5-HT<sub>2B</sub> antagonism arrests non-canonical TGF-beta1-induced valvular myofibroblast differentiation. *J Mol Cell Cardiol.* (2012) 53:707–14. doi: 10.1016/j.yjmcc.2012.08.012
- Fitzgerald LW, Burn TC, Brown BS, Patterson JP, Corjay MH, Valentine PA, et al. Possible role of valvular serotonin 5-HT<sub>2B</sub> receptors in the cardiopathy associated with fenfluramine. *Mol Pharmacol.* (2000) 57:75–81.
- Sainger R, Grau JB, Branchetti E, Poggio P, Seefried WF, Field BC, et al. Human myxomatous mitral valve prolapse: role of bone morphogenetic protein 4 in valvular interstitial cell activation. *J Cell Physiol.* (2011) 227:2595–604. doi: 10.1002/jcp.22999
- Bach T, Syversveen T, Kvingedal AM, Krobert KA, Brattelid T, Kaumann AJ, et al. 5HT<sub>4</sub>(a) and 5-HT<sub>4</sub>(b) receptors have nearly identical pharmacology and are both expressed in human atrium and ventricle. *Naunyn Schmiedeberg Arch Pharmacol.* (2001) 363:146–60. doi: 10.1007/s00210000299

30. Brattelid T, Qvigstad E, Lynham JA, Molenaar P, Aass H, Geiran O, et al. Functional serotonin 5-HT<sub>4</sub> receptors in porcine and human ventricular myocardium with increased 5-HT<sub>4</sub> mRNA in heart failure. *Naunyn Schmiedeberg Arch Pharmacol.* (2004) 370:157–66. doi: 10.1007/s00210-004-0963-0
31. Brattelid T, Kvingedal AM, Krobert KA, Andressen KW, Bach T, Hystad ME, et al. Cloning, pharmacological characterisation and tissue distribution of a novel 5-HT<sub>4</sub> receptor splice variant, 5-HT<sub>4</sub>(i). *Naunyn Schmiedeberg Arch Pharmacol.* (2004) 369:616–28. doi: 10.1007/s00210-004-0919-4
32. Gergs U, Baumann M, Bockler A, Buchwalow IB, Ebelt H, Fabritz L, et al. Cardiac overexpression of the human 5-HT<sub>4</sub> receptor in mice. *Am J Physiol Heart Circ Physiol.* (2010) 299:H788–98. doi: 10.1152/ajpheart.00691.2009
33. Ayme-Dietrich E, Aubertin-Kirch G, Maroteaux L, Monassier L. Cardiovascular remodeling and the peripheral serotonergic system. *Arch Cardiovasc Dis.* (2016) 110:51–9. doi: 10.1016/j.acvd.2016.08.002
34. Schussler O, Gharibeh L, Mootosamy P, Murith N, Tien V, Rougemont AL, et al. Cardiac neural crest cells: their rhombomeric specification, migration, and association with heart and great vessel anomalies. *Cell Mol Neurobiol.* (2020) 41:403–29. doi: 10.1007/s10571-020-00863-w
35. Ferre S, Baler R, Bouvier M, Caron MG, Devi LA, Durrroux T, et al. Building a new conceptual framework for receptor heteromers. *Nat Chem Biol.* (2009) 5:131–4. doi: 10.1038/nchembio0309-131
36. Moutkine I, Quentin E, Guiard BP, Maroteaux L, Doly S. Heterodimers of serotonin receptor subtypes 2 are driven by 5-HT<sub>2C</sub> protomers. *J Biol Chem.* (2017) 292:6352–68. doi: 10.1074/jbc.M117.779041
37. Maroteaux L, Bechade C, Roumier A. Dimers of serotonin receptors: impact on ligand affinity and signaling. *Biochimie.* (2019) 161:23–33. doi: 10.1016/j.biochi.2019.01.009
38. Xie Z, Lee SP, O'Dowd BF, George SR. Serotonin 5-HT<sub>1B</sub> and 5-HT<sub>1D</sub> receptors form homodimers when expressed alone and heterodimers when co-expressed. *FEBS Lett.* (1999) 456:63–7. doi: 10.1016/S0014-5793(99)00918-7
39. Jaffre F, Bonnin P, Callebert J, Debbabi H, Setola V, Doly S, et al. Serotonin and angiotensin receptors in cardiac fibroblasts coregulate adrenergic-dependent cardiac hypertrophy. *Circ Res.* (2009) 104:113–23. doi: 10.1161/CIRCRESAHA.108.180976
40. Blomme B, Deroanne C, Hulin A, Lambert C, Defraigne JO, Nusgens B, et al. Mechanical strain induces a pro-fibrotic phenotype in human mitral valvular interstitial cells through RhoC/ROCK/MRTF-A and Erk1/2 signaling pathways. *J Mol Cell Cardiol.* (2019) 135:149–59. doi: 10.1016/j.yjmcc.2019.08.008
41. Chopra S, Al-Sammaraie N, Lai Y, Azhar M. Increased canonical WNT/beta-catenin signalling and myxomatous valve disease. *Cardiovasc Res.* (2017) 113:6–9. doi: 10.1093/cvr/cvw236
42. Perrucci GL, Zanobini M, Gripari P, Songia P, Alshaikh B, Tremoli E, et al. Pathophysiology of aortic stenosis and mitral regurgitation. *Compr Physiol.* (2017) 7:799–818. doi: 10.1002/cphy.c160020
43. Geirsson A, Singh M, Ali R, Abbas H, Li W, Sanchez JA, Hashim S, Tellides G. Modulation of transforming growth factor-beta signaling and extracellular matrix production in myxomatous mitral valves by angiotensin II receptor blockers. *Circulation.* (2012) 126(11 Suppl 1):S189–97. doi: 10.1161/CIRCULATIONAHA.111.082610
44. Hulin A, Deroanne CF, Lambert CA, Dumont B, Castronovo V, Defraigne JO, et al. Metallothionein-dependent up-regulation of TGF-beta2 participates in the remodelling of the myxomatous mitral valve. *Cardiovasc Res.* (2011) 93:480–9. doi: 10.1093/cvr/cvr337
45. Sassone-Corsi P. The cyclic AMP pathway. *Cold Spring Harb Perspect Biol.* (2012) 4:a011148. doi: 10.1101/cshperspect.a011148